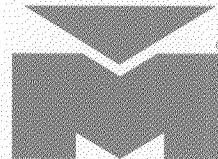


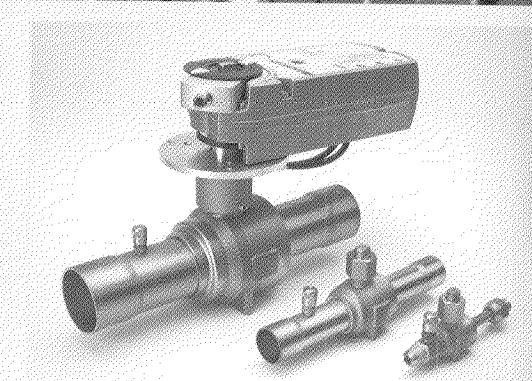
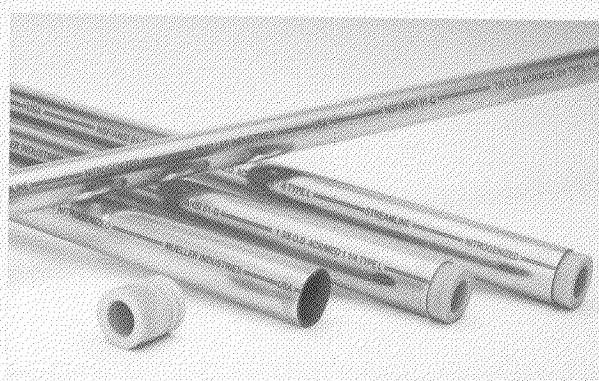
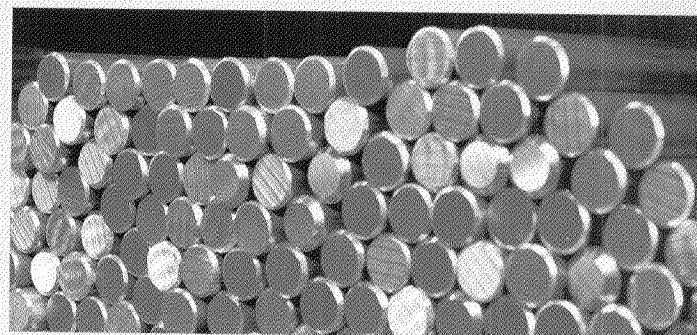
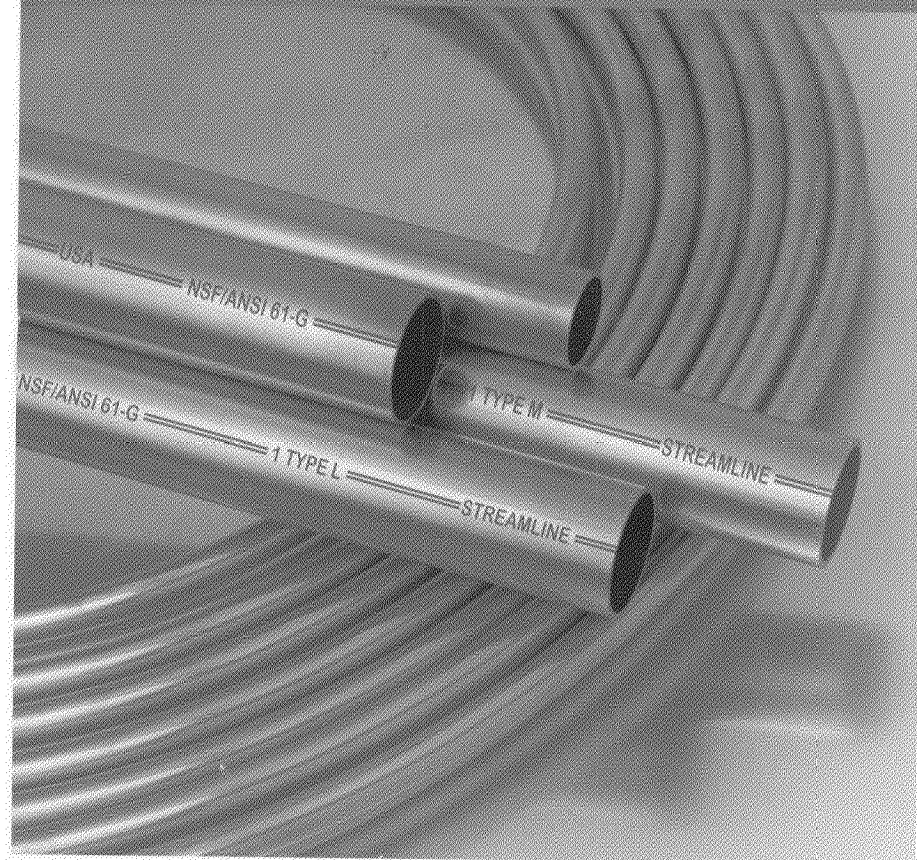
13001555

SEC  
Filing Processing  
Division  
APR 03 2013  
WASHINGTON DC  
400



**MUELLER  
INDUSTRIES**

**ANNUAL REPORT | 2012**



## Board of Directors

**Gary S. Gladstein**

Chairman of the Board,  
Mueller Industries, Inc.  
Independent Investor & Consultant

**Gregory L. Christopher**

Chief Executive Officer,  
Mueller Industries, Inc.

**Alexander P. Federbush**

Chairman,  
Varick Realty Corp.

**Paul J. Flaherty**

Advisory Board Member,  
AON Risk Services, Inc.

**Gennaro J. Fulvio**

Member,  
Fulvio & Associates, LLP

**Scott J. Goldman**

CEO and Co-Founder,  
TextPower, Inc.

**Terry Hermanson**

President,  
Mr. Christmas Incorporated

---

**Harvey L. Karp**

Chairman Emeritus,  
Mueller Industries, Inc.



## 5-Year Review

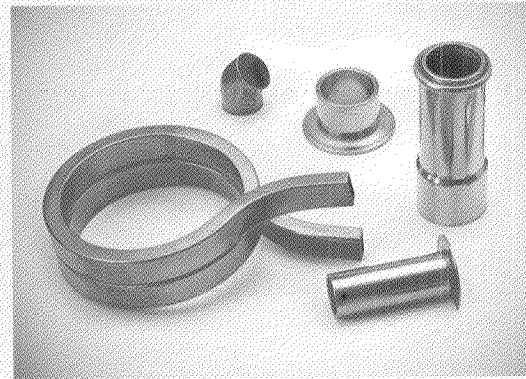
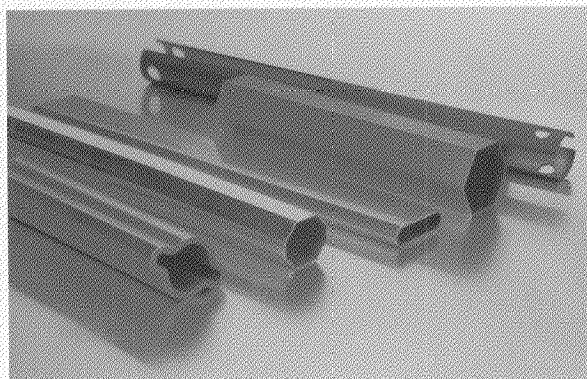
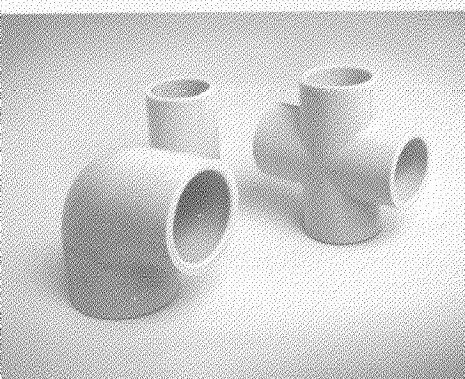
(Dollars in thousands except per share data)

### SUMMARY OF OPERATIONS

	2012	2011	2010	2009	2008
Net sales	\$ 2,189,938	\$ 2,417,797	\$ 2,059,797	\$ 1,547,225	\$ 2,558,448
Operating income	\$ 126,705	\$ 139,802	\$ 136,147	\$ 32,220	\$ 126,096
Net income	\$ 82,395	\$ 86,321	\$ 86,171	\$ 4,675	\$ 80,814
Diluted earnings per share	\$ 2.31	\$ 2.26	\$ 2.28	\$ 0.12	\$ 2.17
Dividends per share	\$ 0.425	\$ 0.40	\$ 0.40	\$ 0.40	\$ 0.40

### SIGNIFICANT YEAR-END DATA

	2012	2011	2010	2009	2008
Cash and cash equivalents	\$ 198,934	\$ 514,162	\$ 394,139	\$ 346,001	\$ 278,860
Ratio of current assets to current liabilities	2.9 to 1	4.8 to 1	4.7 to 1	4.4 to 1	3.7 to 1
Long-term debt (including current portion)	\$ 234,870	\$ 197,741	\$ 190,246	\$ 182,551	\$ 182,910
Debt as a percent of total capitalization	30.4%	18.3%	18.9%	19.8%	20.1%
Stockholders' equity	\$ 506,908	\$ 855,688	\$ 788,736	\$ 713,167	\$ 700,683
Book value per share	\$ 18.04	\$ 22.38	\$ 20.84	\$ 18.94	\$ 18.86
Capital expenditures	\$ 56,825	\$ 18,751	\$ 18,678	\$ 13,942	\$ 22,261



## Executive Leadership Team

**Gregory L. Christopher**  
Chief Executive Officer

**Fabricio Bernal**  
Managing Director,  
Mexico Operations

**Daniel R. Corbin**  
Vice President,  
Corporate Manufacturing Engineering

**John B. Hansen**  
Executive Vice President

**Jeffrey A. Martin**  
Chief Financial Officer  
and Treasurer

**Mark Millerchip**  
Executive Director,  
European Operations

**Nicholas W. Moss**  
President,  
Retail Business

**Douglas J. Murdock**  
President,  
Fabricated Products

**Steffen Sigloch**  
President,  
Extruded Products

**Gary C. Wilkerson**  
Vice President,  
General Counsel and Secretary

## To our Stockholders, Customers & Employees

Mueller Industries' businesses principally serve the residential and commercial construction markets. These markets were hit hard by the financial meltdown of 2007. The following five years were challenging and the company made many changes and adjustments in order to remain profitable and retain our competitive edge. As a result, we were able to achieve annual operating income of \$100 million or more during this difficult period, with the exception of 2009.

We look forward to better times ahead as the residential construction sector appears to be resurging, and we anticipate the commercial construction market will follow in due course.

For the fiscal year ended December 29, 2012, Mueller Industries' net income was \$82.4 million, or \$2.31 per diluted share, compared with \$86.3 million or \$2.26 per diluted share for the prior year. The prior year included a favorable litigation gain of \$10.5 million, or 18¢ per diluted share after tax.

Net sales for 2012 totaled \$2.2 billion compared with \$2.4 billion in 2011. The difference was largely due to the decline in copper prices which averaged \$3.61 per pound in 2012, versus \$4.01 per pound in 2011.

*We look forward to better times ahead as the residential construction sector appears to be resurging, and we anticipate the commercial construction market will follow in due course.*

In 2012, our business generated a strong cash flow of \$108 million from operating activities. At year-end, our cash on hand totaled \$199 million, or \$7.08 per share.

One of the key financial highlights of the year was the repurchase of 10.4 million of our shares at \$41 per share. This turned out to be a timely purchase, as our shares are, as of this writing, selling for \$53 per share. By this purchase, our outstanding shares were reduced from 38.5 million shares to 28.1 million shares.

Another financial highlight of 2012 was the redemption in full of our outstanding 6%, 2014 Debentures in the amount of \$148 million. The redemption will reduce our annual interest expense by approximately \$9 million.

## Operations Review

### PLUMBING AND REFRIGERATION SEGMENT

Operating income from our Plumbing and Refrigeration segment in 2012 increased to \$87 million, compared with \$85 million the year before. Net sales declined by 7% due largely to the decline in copper prices.

Our U.S. and U.K. copper tube businesses overall were stable despite a decline in the unit volume at our U.K. operations. This decline was offset by an increase in our U.S. export sales. This segment also includes our U.S., U.K., and Mexican Buy-Sell Plumbing businesses. New products accounted for a majority of the growth in sales, as well as improved profitability in these businesses.

In September of 2011, a fire at one of our factories in Wynne, Arkansas destroyed much of our plastic fittings manufacturing capacity. We promptly negotiated supply agreements to ensure that service to our customers was not interrupted. By year-end 2012 we had re-established much of our required capacity at our Kalamazoo, Michigan plastics plant. We anticipate being at full productive capacity by April 2013.

### OEM SEGMENT

Operating income from our OEM segment in 2012 was \$67 million versus \$73 million in 2011. Net sales were \$975 million in 2012 compared to \$1.1 billion in 2011. Sales were affected by the prices of copper as previously noted, coupled with a decrease in volume.

The OEM segment is composed of our Industrial Products Division, the Engineered Products Division, and our Jiangsu Mueller-Xingrong Copper Industries joint venture in China.

In several of these OEM-driven businesses we continue to expand our product range to include the use of aluminum in addition to copper and brass. Our Gas Products, Impacts / Microgauge, Precision Tube, and Fabricated Tube Products businesses have expertise in fabricating aluminum which we believe will promote their long-term growth.

Our China copper tube mill remained solidly profitable despite a decline in unit volume.



## CAPITAL INVESTMENT AND ACQUISITIONS

Our copper and brass mills are efficient and productive, but we have significant plans to further improve their operations. These businesses are capital-intensive and periodically require investments to upgrade equipment and to implement new manufacturing technologies. In 2012, we initiated several major capital expenditure programs, with more to follow over the next several years. Our objective is to enhance our position as a world-class manufacturer.

In September 2012, we acquired Westermeyer Industries, which manufactures refrigeration products that are complementary to Mueller Industries' refrigeration offerings. We welcome the Westermeyer personnel and look forward to assisting them to expand the business.

In late 2012, we also acquired manufacturing assets which will allow us to participate in the bus bar business. The equipment has been installed in our Belding, Michigan factory.

*Our objective is to enhance our position  
as a world-class manufacturer.*

We believe that many domestic companies will soon bring production back to the U.S. that they previously outsourced to Asia and elsewhere. The high costs and risks associated with carrying multiple inventories may no longer justify the outsourcing model. When companies do repatriate their production, we believe our mills and operations will experience a surge in demand. We plan to be ready to handle the anticipated increase in volume.

## CLOSING

Many economists have predicted that the housing and commercial construction industry will importantly contribute to the growth of the U.S. economy in 2013. Mueller Industries is well positioned to participate in such growth.

Our manufacturing facilities are in excellent shape and have the capacity to handle production increases. Our capital expenditure initiatives will add to our capacity and efficiency.

Our employees are committed and dedicated to the continued success of our company. They are the driving force behind our company.

Our balance sheet is strong and will support the growth of our company as well as investments in compatible acquisitions.

On February 19, 2013, Mr. Jeff Martin, a 16-year veteran with our company, was named Chief Financial Officer. Jeff has a comprehensive knowledge of our businesses and has seamlessly assumed his new duties.

Also, on November 2, 2012, Mr. Gary S. Gladstein was selected by our Board to be its new Non-Executive Chairman. Mr. Gladstein has been a Mueller Industries Director for over 17 years. All of us are enthusiastic that he has agreed to serve as our Chairman.

We extend our thanks and appreciation to our employees, our customers, and our stockholders.

Sincerely,

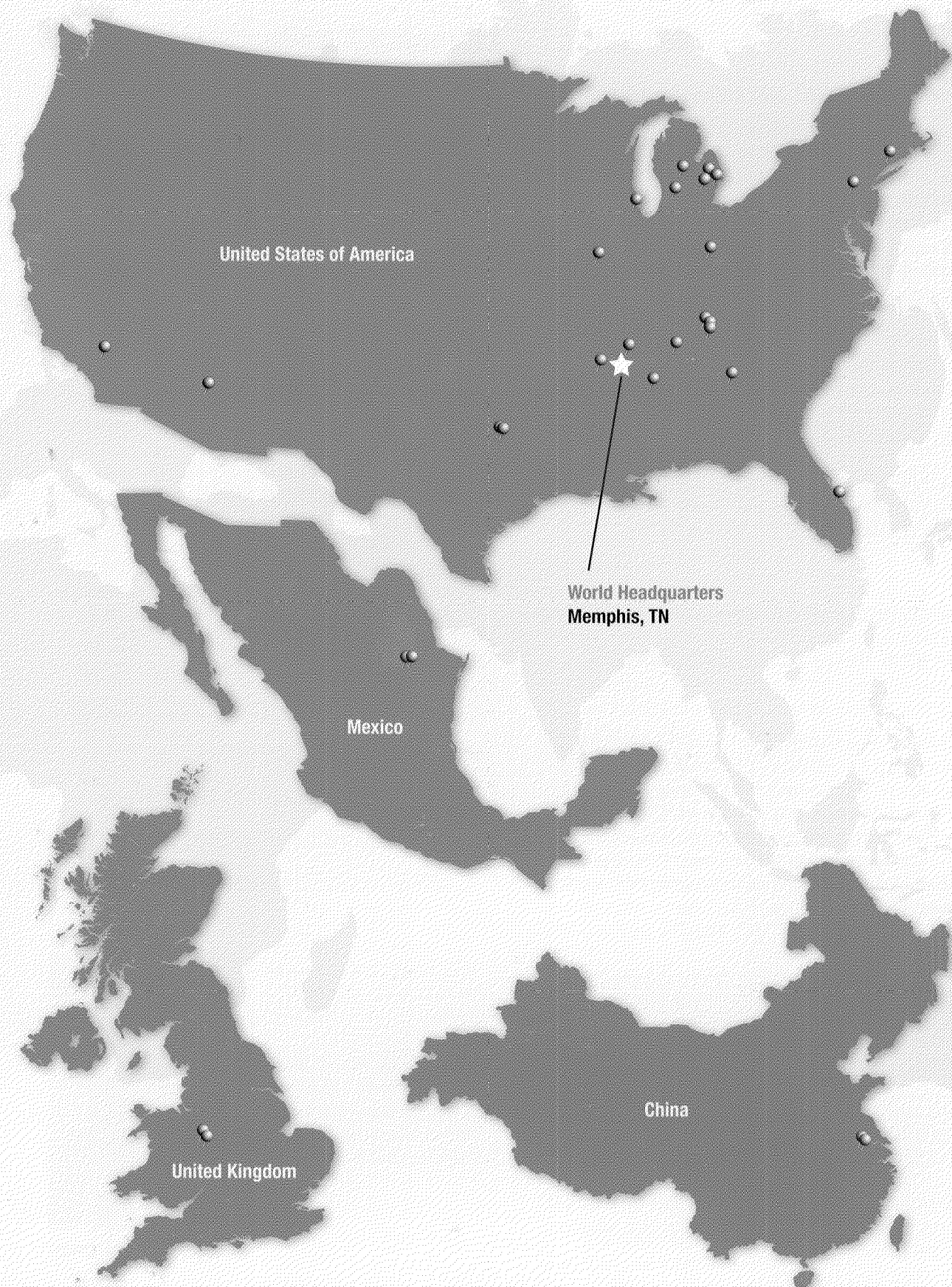


Gregory L. Christopher  
Chief Executive Officer



GREGORY L. CHRISTOPHER

# Global Operations Overview





## Security Holder Information

### ANNUAL MEETING

The annual meeting of stockholders will be held at the Company's headquarters at Suite 150, 8285 Tournament Drive, Memphis, TN 38125, 10:00 a.m. local time, May 2, 2013

### FORM 10-K

The Company's Annual Report on Form 10-K is available on the Company's website at [www.muellerindustries.com](http://www.muellerindustries.com) or upon written request:

c/o Mueller Industries, Inc.  
Attention: Investor Relations  
Suite 150  
8285 Tournament Drive  
Memphis, TN 38125

### MARKET FOR MUELLER INDUSTRIES SECURITIES

- Common stock is traded on the NYSE – Symbol MLI.

### TRANSFER AGENT, REGISTRAR AND PAYING AGENT

To notify the Company of address changes, lost certificates, dividend payments, or account consolidations, security holders should contact:

American Stock Transfer &  
Trust Company, LLC  
Shareholder Services Department  
6201 15th Avenue  
Brooklyn, NY 11219

Toll Free: (800) 937-5449  
Local & International: (718) 921-8124  
Email: [info@amstock.com](mailto:info@amstock.com)  
Web site: [www.amstock.com](http://www.amstock.com)

### NYSE CERTIFICATIONS

The Company submitted an unqualified Section 12(a) CEO Certification to the NYSE in 2012. The Company filed with the SEC the CEO/CFO Certifications required under Section 302 of the Sarbanes-Oxley Act as an exhibit to the Company's Annual Report on Form 10-K for 2012 and 2011.

### INDEPENDENT REGISTERED PUBLIC ACCOUNTING FIRM

Ernst & Young LLP  
Memphis, Tennessee

## Capital Stock Information

The Company's Board of Directors declared a regular quarterly dividend on its common stock of 12.5 cents per share in the fourth quarter of 2012 and 10 cents per share for each of the first three quarters of 2012 and each quarter of 2011. Payment of dividends in the future is dependent upon the Company's financial condition, cash flows, capital requirements, earnings, and other factors.

The high, low, and closing prices of Mueller Industries' common stock on the New York Stock Exchange for each fiscal quarter of 2012 and 2011 were as follows:

	High	Low	Close
<b>2012</b>			
Fourth Quarter	\$ 51.41	\$ 42.43	\$ 49.26
Third Quarter	48.48	39.72	45.47
Second Quarter	47.28	39.89	42.59
First Quarter	49.86	38.16	45.45
<b>2011</b>			
Fourth quarter	\$ 46.33	\$ 35.51	\$ 38.42
Third quarter	47.72	36.14	38.59
Second quarter	40.13	34.60	38.47
First quarter	37.32	31.08	36.95

As of February 25, 2013, the number of holders of record of Mueller Industries' common stock was approximately 1,020. On February 25, 2013, the closing price for Mueller Industries' common stock on the New York Stock Exchange was \$51.98.



**Mueller Industries, Inc.** is a leading manufacturer of copper tube and fittings; brass and copper alloy rod, bar and shapes; aluminum and brass forgings; aluminum and copper impact extrusions; plastic fittings and valves; refrigeration valves and fittings; and fabricated tubular products. Mueller Industries' operations are located throughout the United States and in Canada, Mexico, Great Britain, and China. Mueller Industries' business is importantly linked to: (1) the construction of new homes; (2) the improvement and reconditioning of existing homes and structures; and (3) the commercial construction market which includes office buildings, factories, hotels, hospitals, etc.





**SEC  
Mail Processing  
Section**

**APR 03 2013  
Washington DC  
400**

---

# **2012 Annual Report**

## **Consolidated Financial Statements**

UNITED STATES  
SECURITIES AND EXCHANGE COMMISSION

Washington, D.C. 20549

FORM 10-K

ANNUAL REPORT PURSUANT TO SECTION 13 OR 15(d) OF  
THE SECURITIES EXCHANGE ACT OF 1934

SEC  
Mail Processing  
Section

APR 03 2013

Washington DC  
400

For the fiscal year ended December 29, 2012

Commission file number 1-6770



**MUELLER INDUSTRIES, INC.**

(Exact name of registrant as specified in its charter)

**Delaware**  
(State or other jurisdiction  
of incorporation or organization)

**25-0790410**  
(I.R.S. Employer  
Identification No.)

**8285 Tournament Drive, Suite 150**  
**Memphis, Tennessee**  
(Address of principal executive offices)

**38125**  
(Zip Code)

Registrant's telephone number, including area code: (901) 753-3200

Securities registered pursuant to Section 12(b) of the Act:

Title of each class

Name of each exchange on which registered

Common Stock, \$0.01 Par Value

New York Stock Exchange

Securities registered pursuant to Section 12(g) of the Act: None

Indicate by check mark whether the Registrant is a well-known seasoned issuer, as defined in Rule 405 of the Securities Act. Yes  No

Indicate by check mark if the Registrant is not required to file reports pursuant to Section 13 or Section 15(d) of the Act. Yes  No

Indicate by a check mark whether the Registrant (1) has filed all reports required to be filed by Section 13 or 15(d) of the Securities Exchange Act of 1934 during the preceding 12 months (or for such shorter period that the Registrant was required to file such reports), and (2) has been subject to such filing requirements for the past 90 days. Yes  No

Indicate by check mark whether the Registrant has submitted electronically and posted on its corporate Website, if any, every Interactive Data File required to be submitted and posted pursuant to Rule 405 of Regulation S-T (§232.405 of this chapter) during the preceding 12 months (or for such shorter period that the Registrant was required to submit and post such files). Yes  No

Indicate by check mark if disclosure of delinquent filers pursuant to Item 405 of Regulation S-K (Section 229.405 of this chapter) is not contained herein, and will not be contained, to the best of Registrant's knowledge, in definitive proxy or information statements incorporated by reference in Part III of this Form 10-K or any amendment to this Form 10-K.

Indicate by check mark whether the Registrant is a large accelerated filer, an accelerated filer, a non-accelerated filer, or a smaller reporting company. See the definitions of "large accelerated filer," "accelerated filer" and "smaller reporting company" in Rule 12b-2 of the Exchange Act.

Large accelerated filer   
Non-accelerated filer

Accelerated filer   
Smaller reporting company

Indicate by check mark whether the Registrant is a shell company (as defined in Rule 12b-2 of the Act). Yes  No

The aggregate market value of the voting and non-voting common equity held by non-affiliates computed by reference to the price at which the common equity was last sold, or the average bid and asked price of such common equity, as of the last business day of the Registrant's most recently completed second fiscal quarter was \$1,149,712,854.

The number of shares of the Registrant's common stock outstanding as of February 25, 2013 was 28,119,803 excluding 11,971,699 treasury shares.

**DOCUMENTS INCORPORATED BY REFERENCE**

Portions of the following document are incorporated by reference into this Report: Registrant's Definitive Proxy Statement for the 2013 Annual Meeting of Stockholders, scheduled to be mailed on or about March 20, 2013 (Part III)



## MUELLER INDUSTRIES, INC.

---

As used in this report, the terms “Company,” “Mueller,” and “Registrant” mean Mueller Industries, Inc. and its consolidated subsidiaries taken as a whole, unless the context indicates otherwise.

---

### TABLE OF CONTENTS

	<u>Page</u>
<b>Part I</b>	
Item 1. Business	1
Item 1A. Risk Factors	8
Item 1B. Unresolved Staff Comments	10
Item 2. Properties	11
Item 3. Legal Proceedings	14
Item 4. Mine Safety Disclosures	17
<b>Part II</b>	
Item 5. Market for Registrant’s Common Equity, Related Stockholder Matters and Issuer Purchases of Equity Securities	18
Item 6. Selected Financial Data	21
Item 7. Management’s Discussion and Analysis of Financial Condition and Results of Operations	22
Item 7A. Quantitative and Qualitative Disclosures About Market Risk	22
Item 8. Financial Statements and Supplementary Data	22
Item 9. Changes in and Disagreements with Accountants on Accounting and Financial Disclosure	22
Item 9A. Controls and Procedures	22
Item 9B. Other Information	25
<b>Part III</b>	
Item 10. Directors, Executive Officers and Corporate Governance	25
Item 11. Executive Compensation	25
Item 12. Security Ownership of Certain Beneficial Owners and Management and Related Stockholder Matters	26
Item 13. Certain Relationships and Related Transactions, and Director Independence	26
Item 14. Principal Accounting Fees and Services	26
<b>Part IV</b>	
Item 15. Exhibits, Financial Statement Schedules	27
Signatures	31
Index to Consolidated Financial Statements	F-1

## PART I

### ITEM 1. BUSINESS

#### Introduction

The Company is a leading manufacturer of copper, brass, plastic, and aluminum products. The range of these products is broad: copper tube and fittings; brass and copper alloy rod, bar, and shapes; aluminum and brass forgings; aluminum and copper impact extrusions; plastic pipe, fittings and valves; refrigeration valves and fittings; fabricated tubular products; and steel nipples. The Company also resells imported brass and plastic plumbing valves, malleable iron fittings, faucets and plumbing specialty products. Mueller's operations are located throughout the United States and in Canada, Mexico, Great Britain, and China.

The Company's businesses are aggregated into two reportable segments: the Plumbing & Refrigeration segment and the Original Equipment Manufacturers (OEM) segment. For disclosure purposes, as permitted under Accounting Standards Codification 280, *Segment Reporting*, certain operating segments are aggregated into reportable segments. The Plumbing & Refrigeration segment is composed of the Standard Products Division (SPD), European Operations, and Mexican Operations. The OEM segment is composed of the Industrial Products Division (IPD), Engineered Products Division (EPD), and Jiangsu Mueller-Xingrong Copper Industries Limited (Mueller-Xingrong), the Company's Chinese joint venture. Certain administrative expenses and expenses related primarily to retiree benefits at inactive operations are combined into the Corporate and Eliminations classification. These reportable segments are described in more detail below.

SPD manufactures and sells copper tube, copper and plastic fittings, line sets, plastic pipe, and valves in North America and sources products for import distribution in North America. European Operations manufacture copper tube in Europe, which is sold in Europe and the Middle East; activities also include import distribution in the U.K. and Ireland. Mexican Operations consist of pipe nipple manufacturing and import distribution businesses including product lines of malleable iron fittings and other plumbing specialties. The Plumbing & Refrigeration segment sells products to wholesalers in the heating, ventilation, and air-conditioning (HVAC), plumbing, and refrigeration markets, to distributors to the manufactured housing and recreational vehicle industries, and to building material retailers.

The OEM segment manufactures and sells brass and copper alloy rod, bar, and shapes; aluminum and brass forgings; aluminum and copper impact extrusions; refrigeration valves and fittings; fabricated tubular products; and gas valves and assemblies. Mueller-Xingrong manufactures engineered copper tube primarily for air-conditioning applications; these products are sold primarily to OEMs located in China. The OEM segment sells its products primarily to original equipment manufacturers, many of which are in the HVAC, plumbing, and refrigeration markets.

New housing starts and commercial construction are important determinants of the Company's sales to the HVAC, refrigeration, and plumbing markets because the principal end use of a significant portion of the Company's products is in the construction of single and multi-family housing and commercial buildings. Repairs and remodeling projects are also important drivers of underlying demand for these products.

Information concerning segments and geographic information appears under "Note 15 - Industry Segments" in the Notes to Consolidated Financial Statements for the year ended December 29, 2012 in Item 8 of this Report, which is incorporated herein by reference.

The majority of the Company's manufacturing facilities operated at significantly below capacity during 2012, 2011, and 2010 due to the reduced demand for the Company's products arising from the general economic conditions in the U.S. and foreign markets that the Company serves. The U.S. housing and residential construction market has not fully recovered from the economic downturn during 2008 and 2009. The recent years from 2009 through 2012 had the lowest recorded housing starts since recordkeeping began in 1959. From 1959 through 2007, annual new housing starts averaged 1.5 million units. Per the U.S. Census Bureau, new housing starts in the U.S. were 780 thousand in 2012, which compares with 609 thousand in 2011 and 587 thousand in 2010, all of which are substantially below average historic levels. Mortgage rates have remained at low levels during 2012, 2011 and 2010, as the average 30-year fixed mortgage rate was 3.35 percent in December 2012, 3.96 percent in December 2011, and 4.71 percent in December 2010. Commercial construction has also declined significantly in recent years and, in fact, most categories remain at levels less than a decade ago. According to the U.S. Census Bureau, the actual private nonresidential value of construction put in place was \$297.7 billion in 2012, \$258.0 billion in 2011, and \$263.8 billion in 2010, significantly less than activity levels in 2008 and 2009. Business conditions in the U.S. automotive industry were also exceptionally difficult in the economic downturn during 2008 and 2009, which affected the demand for various products in the Company's OEM segment; however, improvements have occurred in 2011 and 2012. These conditions have significantly affected the demand for virtually all of the Company's core products in recent years.

Residential construction activity improved in 2012 but is still at relatively low levels. Recovery in the near-term is expected, but may be tempered by continuing high rates of unemployment and tighter lending standards. The private non-residential construction sector, which includes offices, industrial and retail projects, showed improvement in 2012 after declines of two percent in 2011, 23 percent in 2010 and 16 percent in 2009. The Company expects that most of these conditions will gradually improve, but at an irregular pace.

The Company is a Delaware corporation incorporated on October 3, 1990.

### **Plumbing & Refrigeration Segment**

The Company's Plumbing & Refrigeration segment includes SPD, which manufactures a broad line of copper tube, in sizes ranging from 1/8 inch to 8 inch diameter, which are sold in various straight lengths and coils. The Company is a market leader in the air-conditioning and refrigeration service tube markets. Additionally, the Company supplies a variety of water tube in straight lengths and coils used for plumbing applications in virtually every type of construction project. SPD also manufactures copper and plastic fittings, line sets, and related components for the plumbing and heating industry that are used in water distribution systems, heating systems, air-conditioning, and refrigeration applications, and drainage, waste, and vent systems. A major portion of SPD's products are ultimately used in the domestic residential and commercial construction markets.

The Plumbing & Refrigeration segment also fabricates steel pipe nipples and resells imported brass and plastic plumbing valves, malleable iron fittings, faucets, and plumbing specialty products to plumbing wholesalers, distributors to the manufactured housing and recreational vehicle industries and building materials retailers.

On August 6, 2010, the Company expanded its existing line sets business by purchasing certain assets from Linesets, Inc., a manufacturer of assembled line sets with operations in Phoenix, Arizona and Atlanta, Georgia.

The Plumbing & Refrigeration segment markets primarily through its own sales and distribution organization, which maintains sales offices and distribution centers throughout the United States and in Canada, Mexico, and Europe. Additionally, products are sold and marketed through a network of agents, which, when combined with the Company's sales organization, provide the Company broad geographic market representation.

These businesses are highly competitive. The principal methods of competition for the Company's products are customer service, availability, and price. The total amount of order backlog for the Plumbing & Refrigeration segment as of December 29, 2012 was not significant.



The Company competes with various companies, depending on the product line. In the U.S. copper tube business, the domestic competition includes Cerro Flow Products, Inc., Cambridge-Lee Industries LLC (a subsidiary of Industrias Unidas S.A. de C.V.), Wolverine Tube, Inc., KobeWieland Copper Products LLC, and Howell Metal Company (a subsidiary of Commercial Metals Company), as well as many actual and potential foreign competitors. In the European copper tube business, Mueller competes with several European-based manufacturers of copper tube as well as other foreign-based manufacturers. In the copper fittings market, domestic competitors include Elkhart Products Company (a subsidiary of Aalberts Industries N.V.) and NIBCO, Inc., as well as several foreign manufacturers. Additionally, the Company's copper tube and fittings businesses compete with a large number of manufacturers of substitute products made from other metals and plastic. The plastic fittings competitors include NIBCO, Inc., Charlotte Pipe & Foundry, and other companies. Management believes that no single competitor offers such a wide-ranging product line as Mueller and that this is a competitive advantage in some markets.

### **OEM Segment**

The Company's OEM segment includes IPD, which manufactures brass rod, nonferrous forgings, and impact extrusions that are sold primarily to OEMs in the plumbing, refrigeration, fluid power, and automotive industries, as well as to other manufacturers and distributors. The Company extrudes brass, bronze, and copper alloy rod in sizes ranging from 3/8 inches to 4 inches in diameter. These alloys are used in applications that require a high degree of machinability, wear and corrosion resistance, as well as electrical conductivity. IPD also manufactures brass and aluminum forgings, which are used in a wide variety of products, including automotive components, brass fittings, industrial machinery, valve bodies, gear blanks, and computer hardware. IPD also serves the automotive, military ordnance, aerospace, and general manufacturing industries with cold-formed aluminum and copper impact extrusions. Typical applications for impacts are high strength ordnance, high-conductivity electrical components, builders' hardware, hydraulic systems, automotive parts, and other uses where toughness must be combined with varying complexities of design and finish. The OEM segment also includes EPD, which manufactures and fabricates valves and custom OEM products for refrigeration and air-conditioning, gas appliance, and barbecue grill applications. Additionally EPD manufactures shaped and formed tube, produced to tight tolerances, for baseboard heating, appliances, and medical instruments. The total amount of order backlog for the OEM segment as of December 29, 2012 was not significant.

On August 16, 2012, the Company acquired 100 percent of the outstanding stock of Westermeyer Industries, Inc. (Westermeyer), located in Bluffs, Illinois. Westermeyer designs, manufactures, and distributes high-pressure components and accessories for the air-conditioning and refrigeration markets. The acquisition of Westermeyer complements the Company's existing refrigeration business.

On December 28, 2010, the Company purchased certain assets from Tube Forming, L.P. (TFI). TFI had operations in Carrollton, Texas, and Guadalupe, Mexico, where it produced precision copper return bends and crossovers, and custom-made tube components and brazed assemblies, including manifolds and headers.

IPD and EPD primarily sell directly to OEM customers. Competitors, primarily in the brass rod market, include Chase Brass and Copper Company, a subsidiary of Global Brass and Copper Holdings, Inc., and others both domestic and foreign. Outside of North America, IPD and EPD sell products through various channels.

## Labor Relations

At December 29, 2012, the Company employed approximately 3,775 employees, of which approximately 1,900 were represented by various unions. Those union contracts will expire as follows:

<u>Location</u>	<u>Expiration Date</u>
Port Huron, Michigan (Local 218 IAM)	May 1, 2013
Port Huron, Michigan (Local 44 UAW)	July 20, 2013
Belding, Michigan	September 12, 2015
Wynne, Arkansas	June 28, 2015
Fulton, Mississippi	October 31, 2017
North Wales, Pennsylvania	July 31, 2015
Waynesboro, Tennessee	November 7, 2015

The union agreements at the Company's U.K. and Mexico operations are renewed annually. The Company expects to renew its union contracts without material disruption of its operations.

## Raw Material and Energy Availability

The major portion of Mueller's base metal requirements (primarily copper) is normally obtained through short-term supply contracts with competitive pricing provisions (for cathode) and the open market (for scrap). Other raw materials used in the production of brass, including brass scrap, zinc, tin, and lead, are obtained from zinc and lead producers, open-market dealers, and customers with brass process scrap. Raw materials used in the fabrication of aluminum and plastic products are purchased in the open market from major producers.

Adequate supplies of raw material have historically been available to the Company from primary producers, metal brokers, and scrap dealers. Sufficient energy in the form of natural gas, fuel oils, and electricity is available to operate the Company's production facilities. While temporary shortages of raw material and fuels may occur occasionally, to date they have not materially hampered the Company's operations.

During recent years, an increasing demand for copper and copper alloy primarily from China had an effect on the global usage of such commodities. The increased demand for copper (cathode and scrap) and copper alloy products from the export market, from time-to-time may cause a tightening in the domestic raw materials market. Mueller's copper tube facilities can accommodate both refined copper and certain grades of copper scrap as the primary feedstock. The Company has commitments from refined copper producers for a portion of its metal requirements for 2013. Adequate quantities of copper are currently available. While the Company will continue to react to market developments, resulting pricing volatility or supply disruptions, if any, could nonetheless adversely affect the Company.

## Environmental Proceedings

Compliance with environmental laws and regulations is a matter of high priority for the Company. Mueller's provision for environmental matters related to all properties was \$3.1 million for 2012, \$0.4 million for 2011, and \$5.4 million for 2010. The reserve for environmental matters was \$24.6 million at December 29, 2012 and \$22.9 million at December 31, 2011. Environmental costs related to non-operating properties are classified as a component of other income (expense), net and costs related to operating properties are included in cost of goods sold. The Company does not anticipate that it will need to make material expenditures for compliance activities related to existing environmental matters during the remainder of the 2013 fiscal year, or for the next two fiscal years.

## Non-operating Properties

### *Southeast Kansas Sites*

By letter dated October 10, 2006, the Kansas Department of Health and Environment (KDHE) advised the Company that environmental contamination has been identified at a former smelter site in southeast Kansas. KDHE asserts that the Company is a corporate successor to an entity that is alleged to have owned and operated the smelter from 1915 to 1918. The Company has since been advised of a possible connection between that same entity and two other former smelter sites in Kansas. KDHE has requested that the Company and other potentially responsible parties (PRPs) negotiate a consent order with KDHE to address contamination at these sites. The Company believes it is not liable for the contamination but as an alternative to litigation, the Company has entered into settlement negotiations with one of the other PRPs. The negotiations are ongoing. In 2008, the Company established a reserve of \$9.5 million for this matter. Due to the ongoing nature of negotiations, the timing of potential payment has not yet been determined. The Company has agreed to share the costs of a preliminary site assessment at one of the former smelter sites with two other PRPs, signed an agreement, and agreed on a work plan with KDHE by which the PRPs would study the East La Harpe site without conceding liability. The Company also paid \$10 thousand toward KDHE's past costs and received a release for any further claims for past costs at the site. Discussions with KDHE and the U.S. Environmental Protection Agency (EPA), and other PRPs about the other two smelter sites continue.

### *Shasta Area Mine Sites*

Mining Remedial Recovery Company (MRRC), a wholly owned subsidiary, owns certain inactive mines in Shasta County, California. MRRC has continued a program, begun in the late 1980s, of sealing mine portals with concrete plugs in mine adits, which were discharging water. The sealing program has achieved significant reductions in the metal load in discharges from these adits; however, additional reductions are required pursuant to an order issued by the California Regional Water Quality Control Board (QCB). In response to a 1996 Order issued by the QCB, MRRC completed a feasibility study in 1997 describing measures designed to mitigate the effects of acid rock drainage. In December 1998, the QCB modified the 1996 order extending MRRC's time to comply with water quality standards. In September 2002, the QCB adopted a new order requiring MRRC to adopt Best Management Practices (BMP) to control discharges of acid mine drainage. That order extended the time to comply with water quality standards until September 2007. During that time, implementation of BMP further reduced impacts of acid rock drainage; however, full compliance has not been achieved. The QCB is presently renewing MRRC's discharge permit and will concurrently issue a new order. It is expected that the new permit will include an order requiring continued implementation of BMP through 2015 to address residual discharges of acid rock drainage. At this site, MRRC spent approximately \$1.7 million from 2010 through 2012 and estimates that it will spend between approximately \$8.4 million and \$12.4 million over the next 20 years.

### *Lead Refinery Site*

U.S.S. Lead Refinery, Inc. (Lead Refinery), a non-operating wholly owned subsidiary of MRRC, has conducted corrective action and interim remedial activities and studies (collectively, Site Activities) at Lead Refinery's East Chicago, Indiana site pursuant to the Resource Conservation and Recovery Act. Site Activities, which began in December 1996, have been substantially concluded. Lead Refinery is required to perform monitoring and maintenance activities with respect to Site Activities pursuant to a post-closure permit issued by the Indiana Department of Environmental Management (IDEM) effective as of January 22, 2008. Lead Refinery spent approximately \$0.1 million annually in 2012, 2011 and 2010 with respect to this site. Approximate costs to comply with the post-closure permit, including associated general and administrative costs, are between \$2.4 million and \$3.6 million over the next 20 years.



On April 9, 2009, pursuant to the Comprehensive Environmental Response, Compensation, and Liability Act (CERCLA), the EPA added the Lead Refinery site, and properties adjacent to the Lead Refinery site, to the National Priorities List (NPL). The NPL is a list of priority sites where the EPA has determined that there has been a release or threatened release of hazardous substances that warrant investigation and, if appropriate, remedial action. The NPL does not assign liability to any party including the owner or operator of a property placed on the NPL. The placement of a site on the NPL does not necessarily mean that remedial action must be taken. On July 17, 2009, Lead Refinery received a written notice from the EPA that the agency is of the view that Lead Refinery may be a PRP under CERCLA in connection with the release or threaten of release of hazardous substances including lead into properties located adjacent to the Lead Refinery site. There are at least two other PRPs. PRPs under CERCLA include current and former owners and operators of a site, persons who arranged for disposal or treatment of hazardous substances at a site, or persons who accepted hazardous substances for transport to a site. In November 2012, the EPA adopted a remedy in connection with properties located adjacent to the Lead Refinery site. The EPA has estimated that the cost to implement the November 2012 remedy will be \$28.9 million.

The Company monitors EPA releases and periodically communicates with the EPA to inquire of the status of the investigation and cleanup of the Lead Refinery site. As of December 29, 2012, the EPA has not conducted an investigation of the Lead Refinery site, proposed remedies for the Lead Refinery site, or informed Lead Refinery that it is a PRP at the Lead Refinery site. Until the extent of remedial action is determined for the Lead Refinery site, the Company is unable to determine the likelihood of a material adverse outcome or the amount or range of a potential loss with respect to placement of the Lead Refinery site and adjacent properties on the NPL. Lead Refinery lacks the financial resources needed to undertake any investigations or remedial action that may be required by the EPA pursuant to CERCLA.

#### Operating Properties

##### *Mueller Copper Tube Products, Inc.*

In 1999, Mueller Copper Tube Products, Inc. (MCTP), a wholly owned subsidiary, commenced a cleanup and remediation of soil and groundwater at its Wynne, Arkansas plant. MCTP is currently removing trichloroethylene, a cleaning solvent formerly used by MCTP, from the soil and groundwater. On August 30, 2000, MCTP received approval of its Final Comprehensive Investigation Report and Storm Water Drainage Investigation Report addressing the treatment of soils and groundwater from the Arkansas Department of Environmental Quality (ADEQ). The Company established a reserve for this project in connection with the acquisition of MCTP in 1998. Effective November 17, 2008, MCTP entered into a Settlement Agreement and Administrative Order by Consent to submit a Supplemental Investigation Work Plan (SIWP) and subsequent Final Remediation Work Plan for the site. By letter dated January 20, 2010, ADEQ approved the SIWP as submitted, with changes acceptable to the Company. On December 16, 2011, MCTP entered into an amended Administrative Order by Consent to prepare and implement a revised Remediation Work Plan regarding final remediation for the Site. Costs to implement the work plans, including associated general and administrative costs, are approximately \$2.6 million over the next ten years.

##### *Belding, Michigan Lead Matters*

In October 2010, the Michigan Department of Environmental Quality (MDEQ) conducted testing of lead levels in soils on properties upwind and downwind of the Belding, Michigan facility of Extruded Metals, Inc. (Extruded), a subsidiary of the Company. Results of that testing showed exceedances of the Michigan generic residential direct contact cleanup criteria for lead on a number of the downwind properties. Extruded has investigated the extent of this condition and performed remediation to the extent required by environmental laws and in accordance with a plan approved by the MDEQ in April 2011. In January 2012, Extruded submitted a final Certification Report to the MDEQ documenting its completion of that remediation. The Company provided \$0.4 million in 2010 for this matter, and is pursuing potential remedies from the previous owner. The Company does not expect additional material losses associated with these environmental matters.

In November 2010, Extruded received a request for information under Section 114(a) of the Clean Air Act from the EPA. The focus of the EPA's information request was the Extruded facility's compliance with the National Emissions Standards for Hazardous Air Pollutants for Secondary Nonferrous Metals Processing Area Sources, 40 C.F.R. § 63.11462 (Subpart TTTTTT). Extruded responded to the information request and advised the EPA of its position that it was not subject to regulation under Subpart TTTTTT. The state requested that Extruded request an applicability determination from the EPA. On March 11, 2011, Mueller Brass Co. (MBCo), a subsidiary of the Company, submitted a request for an applicability determination to Region V of the EPA.

On or about October 24, 2012, MBCo was notified that based on the process description provided in its letter, the EPA agreed that it is not an ingot making facility and, therefore is not subject to Subpart TTTTTT. This determination relieves the Company of future compliance requirements as well as any risk of civil penalties.

The estimates contained in the environmental reserves are based on assumptions that are highly subjective. Many of the remedial activities performed by the Company are pursuant to performance-based obligations imposed by various regulatory bodies in which certain standards regarding levels of contaminants must be met. The most subjective assumption that affects the estimates at these sites is the assumed length of time to comply with the remedial requirements set by the regulatory authorities. This assumption is subject to change based on the regulatory environment, unanticipated delays and events that could limit access to these sites, unforeseen negative sampling results, and other factors. Changes in any of these factors could have a material impact on future environmental expense.

#### **Other Business Factors**

The Registrant's business is not materially dependent on patents, trademarks, licenses, franchises, or concessions held. In addition, expenditures for company-sponsored research and development activities were not material during 2012, 2011, or 2010. No material portion of the Registrant's business involves governmental contracts. Seasonality of the Company's sales is not significant.

#### **SEC Filings**

We make available through our internet website our Annual Report on Form 10-K, Quarterly Reports on Form 10-Q, Current Reports on Form 8-K, and amendments to those reports filed or furnished pursuant to Section 13(a) or 15(d) of the Exchange Act as soon as reasonably practicable after we electronically file such material with, or furnish it to, the Securities and Exchange Commission (SEC). To retrieve any of this information, you may access our internet home page at [www.muellerindustries.com](http://www.muellerindustries.com), select Investors, and then select SEC Filings.

Reports filed with the SEC may also be viewed or obtained at the SEC Public Reference Room at 100 F Street, N.E., Washington, D.C. 20549. Information on the operation of the SEC Public Reference Room may be obtained by calling the SEC at 1-800-SEC-0330. The SEC maintains a website that contains reports, proxy and information statements, and other information regarding issuers that file electronically with the SEC; the website address is [www.sec.gov](http://www.sec.gov).

## ITEM 1A. RISK FACTORS

The Company is exposed to risk as it operates its businesses. To provide a framework to understand the operating environment of the Company, we are providing a brief explanation of the more significant risks associated with our businesses. Although we have tried to identify and discuss key risk factors, others could emerge in the future. These risk factors should be considered carefully when evaluating the Company and its businesses.

### **Increases in costs and the availability of energy and raw materials used in our products could impact our cost of goods sold and our distribution expenses, which could have a material adverse impact on our operating margins.**

Both the costs of raw materials used in our manufactured products (copper, brass, zinc, aluminum, and PVC and ABS resins) and energy costs (electricity, natural gas and fuel) have been volatile during the last several years, which has resulted in changes in production and distribution costs. For example, recent and pending climate change regulation and initiatives on the state, regional, federal, and international levels that have focused on reducing greenhouse gas (GHG) emissions from the energy and utility sectors may affect energy availability and costs in the near future. While we typically attempt to pass costs through to our customers or to modify or adapt our activities to mitigate the impact of increases, we may not be able to do so successfully. Failure to fully pass increases to our customers or to modify or adapt our activities to mitigate the impact could have a material adverse impact on our operating margins. Additionally, if we are for any reason unable to obtain raw materials or energy, our ability to manufacture our finished goods would be impacted which could have a material adverse impact on our operating margins.

### **The unplanned departure of key personnel could disrupt our business.**

We depend on the continued efforts of our senior management. The unplanned loss of key personnel, or the inability to hire and retain qualified executives, could negatively impact our ability to manage our business.

### **Economic conditions in the housing and commercial construction industries as well as changes in interest rates could have a material adverse impact on our business, financial condition, and results of operations.**

Our businesses are sensitive to changes in general economic conditions, including, in particular, conditions in the housing and commercial construction industries. Prices for our products are affected by overall supply and demand in the market for our products and for our competitors' products. In particular, market prices of building products historically have been volatile and cyclical, and we may be unable to control the timing and amount of pricing changes for our products. Prolonged periods of weak demand or excess supply in any of our businesses could negatively affect our revenues and margins and could result in a material adverse impact on our business, financial condition, and results of operations.

The markets that we serve, including, in particular, the housing and commercial construction industries, are significantly affected by movements in interest rates and the availability of credit. Significantly higher interest rates could have a material adverse effect on our business, financial condition, and results of operations. Our businesses are also affected by a variety of other factors beyond our control, including, but not limited to, employment levels, foreign currency exchange rates, unforeseen inflationary pressures, and consumer confidence. Since we operate in a variety of geographic areas, our businesses are subject to the economic conditions in each such area. General economic downturns or localized downturns in the regions where we have operations could have a material adverse effect on our business, financial condition, and results of operations.

Although conditions stabilized during 2011 and continued to improve in 2012, the deterioration of the general economic environment has had a significant negative impact on businesses and consumers around the world since the crisis began in 2008. The well-publicized downturn in the construction markets, both residential and commercial, including construction lending, may result in protracted decreased demand for our products. In addition, the impact of the economy on the operations or liquidity of any party with which we conduct our business, including our suppliers and customers, may adversely impact our business.



**ITEM 2. PROPERTIES**

(continued)

Location	Approximate Property Size	Description
Jintan City, Jiangsu Province, China	322,580 sq. ft. <sup>(5)</sup> 33.0 acres	Copper tube mill. Facility includes casting, and finishing equipment to produce engineered copper tube primarily for OEMs.
Xinbei District, Changzhou, China	33,940 sq. ft. <sup>(3)</sup>	Refrigeration products plant. Produces products used in refrigeration applications such as ball valves, line valves, and compressor valves.
Bluffs, IL	70,000 sq. ft. 10 acres	Fabrication facility. Produces products used in refrigeration applications such as oil separators, accumulators, and heat exchangers.
Guadalupe, MX	70,782 sq. ft. <sup>(3)</sup>	Fabrication facility. Produces tubular components, assemblies, and return bends for refrigeration and HVAC markets.
Guadalupe, MX	59,331 sq. ft. <sup>(3)</sup>	Gas valve plant. Facility produces brass and aluminum valves and assemblies for the gas appliance industry.
Farmers Branch, TX	54,000 sq. ft. <sup>(3)</sup>	Fabrication facility. Produces tubular components, assemblies, and return bends for refrigeration and HVAC markets.

In addition, the Company owns and/or leases other properties used as distribution centers and corporate offices.

- (1) Facility, or some portion thereof, is located on land leased from a local municipality, with an option to purchase at nominal cost.
- (2) Facility is leased under a long-term lease agreement, with an option to purchase at nominal cost.
- (3) Facility is leased under an operating lease.
- (4) Facility is leased from a local municipality for a nominal amount.
- (5) Facility is located on land that is under a long-term land use rights agreement.

### **ITEM 3. LEGAL PROCEEDINGS**

#### **General**

The Company is involved in certain litigation as a result of claims that arose in the ordinary course of business. Additionally, the Company may realize the benefit of certain legal claims and litigation in the future; these gain contingencies are not recognized in the Consolidated Financial Statements.

#### **Environmental Proceedings**

Reference is made to “Environmental Matters” in Item 1 of this Report, which is incorporated herein by reference, for a description of environmental proceedings.

#### **United States Department of Commerce Antidumping Review**

On December 24, 2008, the United States Department of Commerce (DOC) initiated an antidumping administrative review of the antidumping duty order covering circular welded non-alloy steel pipe and tube from Mexico to determine the final antidumping duties owed on U.S. imports during the period November 1, 2007, through October 31, 2008, by certain subsidiaries of the Company. On April 19, 2010, the DOC published the final results of this review and assigned Mueller Comercial de Mexico, S. de R.L. de C.V. (Mueller Comercial) an antidumping duty rate of 48.3 percent. The Company has appealed the final determination to the U.S. Court of International Trade (CIT). On December 16, 2011, the CIT issued a decision to remand the final results back to DOC to reconsider its decision. The Department issued its remand determination on May 14, 2012. In that determination, the DOC again assigned Mueller Comercial an antidumping duty rate of 48.3 percent. On June 13, 2012, Mueller challenged the DOC’s remand determination. The Company anticipates that certain of its subsidiaries will incur antidumping duties on subject imports made during the period of review and, as such, established a reserve of approximately \$3.8 million for this matter.

On December 23, 2009, the DOC initiated an antidumping administrative review of the antidumping duty order covering circular welded non-alloy steel pipe and tube from Mexico for the November 1, 2008, through October 31, 2009, period of review. The DOC selected Mueller Comercial as a respondent for this period of review. On June 21, 2011, the DOC published the final results of this review and assigned Mueller Comercial an antidumping duty rate of 19.8 percent. On August 22, 2011, the Company appealed the final results to the CIT. On December 21, 2012, the CIT issued a decision upholding the Department’s final results in part. The ruling is not yet final; however, once a determination is made, it may be appealed by the Company. The Company anticipates that certain of its subsidiaries will incur antidumping duties on subject imports made during the period of review and, as such, established a reserve of approximately \$1.1 million for this matter.

On December 28, 2010, the DOC initiated an antidumping administrative review of the antidumping duty order covering circular welded non-alloy steel pipe and tube from Mexico for the November 1, 2009, through October 31, 2010, period of review. The DOC selected Mueller Comercial as a respondent for this period of review. On December 14, 2011, the DOC issued a final determination that Mueller Comercial did not ship subject merchandise to the United States during the relevant period of review. Therefore, there is zero antidumping duty liability for the Company and its subsidiaries for imports made during the November 1, 2009 through October 31, 2010 period of review.

On December 30, 2011, the DOC initiated an antidumping administrative review of the antidumping duty order covering circular welded non-alloy steel pipe and tube from Mexico for the November 1, 2010, through October 31, 2011, period of review. The DOC selected Mueller Comercial as a respondent for this period of review. On December 11, 2012, the DOC issued a preliminary determination to rescind the review with regard to Mueller Comercial because the request for review was withdrawn. By the end of 2013, the DOC should issue its final determination to rescind this review.

## **United States Department of Commerce and United States International Trade Commission Antidumping Investigations**

On September 30, 2009, two subsidiaries of the Company, along with Cerro Flow Products, Inc. and KobeWieland Copper Products LLC (collectively, Petitioners), jointly filed antidumping petitions with the DOC and the U.S. International Trade Commission (ITC) alleging that imports of seamless refined copper pipe and tube from China and Mexico (subject imports) were being sold at less than fair value and were causing material injury (and threatening material injury) to the domestic industry. On October 1, 2010, the DOC published its final affirmative determinations, finding antidumping rates from 24.89 percent to 27.16 percent for Mexico (as subsequently amended), and from 11.25 percent to 60.85 percent for China.

On November 22, 2010, the DOC published antidumping orders, with the effect that importers were required to post antidumping cash deposits at rates ranging from 24.89 percent to 27.16 percent (for subject imports from Mexico) and from 11.25 percent to 60.85 percent (for subject imports from China) for imports occurring on or after November 22, 2010.

On December 22, 2010, certain Mexican parties requested panel reviews under the North American Free Trade Agreement (NAFTA) in order to appeal the ITC final determination as to Mexico. Following a period of litigation, on December 8, 2011, the last of the Mexican parties voluntarily terminated its NAFTA panel review request, with the effect that the ITC's final threat of material injury determination as to Mexico is final.

On July 7, 2011, the DOC initiated a new shipper review of certain entries from a Mexican processor of copper tube, GD Affiliates S.de R.L. de C.V., based on that company's request for a company-specific dumping rate. DOC examined GD Affiliates S. de R.L. de C.V. sales for the period November 22, 2010 through April 30, 2011. On September 26, 2012, DOC determined that GD Affiliates S. de R.L. de C.V. sold subject merchandise for less than fair value and calculated a weighted average dumping margin of 5.53 percent ad valorem. DOC instructed U.S. Customs and Border Protection to require the posting of cash deposits on all entries of subject merchandise exported by GD Affiliates S. de R.L. de C.V. entered into the United States on or after September 26, 2012. On October 24, 2012, GD Affiliates S. de R.L. de C.V. requested a panel review under the NAFTA to appeal DOC's determination. Briefing is expected to be completed in mid-2013 and, at this time, the Company is unable to know the final disposition of the Panel review. In the interim, Customs will require cash deposits for subject merchandise exported by GD Affiliates S. de R.L. de C.V. from Mexico and entered into the United States.

On August 7, 2012, the DOC published its preliminary results of the first administrative review of exports from China from Hong Kong Hailiang Metal Trading Limited, Zhejiang Hailiang Co., Ltd., and Shanghai Hailiang Copper Co., Ltd. (collectively Hailiang) and Golden Dragon Precise Copper Tube Group, Inc. (Golden Dragon) finding a dumping margin for Hailiang of 60.58 percent ad valorem and 0.00 percent for Golden Dragon. DOC examined sales during the period November 22, 2010 through October 31, 2011. DOC is scheduled to issue its final results on May 6, 2013. At this time, the Company is unable to know the final disposition of the administrative review.

On December 10, 2012, the DOC published its preliminary results of the first administrative review of exports from Mexico from GD Affiliates S. de R.L. de C.V. and its affiliate Hong Kong GD Trading Co., Ltd. (collectively, Golden Dragon) and Nacional de Cobre, S.A. de C.V. (Nacobre) finding that neither company sold subject merchandise at dumped prices. DOC examined sales made by Golden Dragon for the period May 1, 2011 through October 31, 2011 and by Nacobre for the period November 22, 2010 through October 31, 2011. DOC is scheduled to issue its final results on April 9, 2013. At this time, the Company is unable to know the final disposition of the administrative review.

On December 31, 2012, the DOC initiated the second administrative review of several Chinese and Mexican copper tube producers and/or exporters to the United States in order to establish company-specific dumping rates based on the period November 1, 2011 through October 31, 2012. The reviews are expected to be completed sometime in 2014. At this time, the Company is unable to know the final disposition of these second administrative reviews.



## **Supplier Litigation**

On May 6, 2011, the Company and two of its subsidiaries, Mueller Streamline Co. and B&K Industries, Inc. (B&K)(Plaintiffs), filed a civil lawsuit in federal district court in Los Angeles, California against a former supplier, Xiamen Lota International Co., Ltd (Xiamen Lota), its U.S. sales representative (Lota USA), and certain other persons (Defendants). The lawsuit alleged, among other things, that the Defendants gave Peter D. Berkman, a former executive of the Company and B&K, an undisclosed interest in Lota USA, and made payments and promises of payments to him, in return for Peter Berkman maintaining the Company as a customer, increasing purchasing levels, and acquiescing to non-competitive and excessive pricing for Xiamen Lota products. The lawsuit alleged violations of federal statutes 18 U.S.C. Sections 1962(c) and (d) (RICO claims) and California state law unfair competition. The lawsuit sought compensatory, treble and punitive damages, and other appropriate relief including an award of reasonable attorneys' fees and costs of suit. In October 2012, the lawsuit, together with certain related proceedings in Illinois and Tennessee, were settled on mutually agreeable terms and, in connection therewith, the Company received a \$5.8 million cash payment.

## **Extruded Metals Class Action**

A purported class action was filed in Michigan Circuit Court by Gaylord L. Miller, and all others similarly situated, against Extruded in March 2012 under nuisance, negligence, and gross negligence theories. It is brought on behalf of all persons in the City of Belding, Michigan, whose property rights have allegedly been interfered with by fallout and/or dust and/or noxious odors, allegedly attributable to Extruded's operations. Plaintiffs allege that they have suffered interference with the use and enjoyment of their properties. They seek compensatory and exemplary damages and injunctive relief. The Company intends to vigorously defend this matter. At this time, the Company is unable to determine the impact, if any, that this matter will have on its financial position, results of operations, or cash flows. A mediation between the parties was held on November 8, 2012. The parties did not reach a settlement. Discovery is proceeding in the matter, and Plaintiff's motion for class certification will be heard in early April 2013. The Company plans to have a motion for summary disposition heard on or before that date.

## **U.K. Actions Relating to the European Commission's 2004 Copper Tubes Decision and 2006 Copper Fittings Decision**

Mueller Industries, Inc., WTC Holding Company, Inc., DENO Holding Company, Inc., Mueller Europe, Limited, and DENO Acquisition EURL (the Mueller entities) have received letters from counsel for IMI plc and IMI Kynoch Limited (IMI) and from counsel for Boliden AB (Boliden) concerning contribution proceedings by IMI and Boliden against the Mueller entities regarding copper tubes. In the Competition Appeal Tribunal (the CAT) in the United Kingdom, IMI and Boliden have been served with claims by 21 claimants, all companies within the Travis Perkins Group (TP and the TP Claimants). The TP Claimants are seeking follow-on damages arising out of conduct described in the European Commission's September 3, 2004, decision regarding copper tubes. The claims purport to arise from the findings of the European Commission as set forth in that decision.

Mueller Industries, Inc., Mueller Europe, Limited, and WTC Holding Company, Inc. also have received a letter from counsel for IMI concerning contribution proceedings by IMI against those three Mueller entities regarding copper fittings. In the High Court, IMI has been served with claims by 21 TP Claimants. The TP Claimants are seeking follow-on damages arising out of conduct described in the European Commission's September 20, 2006, decision regarding copper fittings. The claims similarly purport to arise from the findings of the European Commission as set forth in that decision.

The letters confirm that IMI and Boliden have commenced legal proceedings against the Mueller entities, and in those proceedings are claiming a contribution for any follow-on damages. IMI and Boliden have formally served their claims on the Mueller entities.

While the TP Claimants have provided their preliminary calculations of aggregate claimed damages for the copper tubes claim and the copper fittings claim, Mueller does not believe this matter will have a material affect on the Consolidated Financial Statements for the contribution claims.

As to the claims arising from the Copper Tubes Decision brought in the CAT, following the CAT's grant of approval, the case has now been transferred to the High Court. Mueller's defenses in response to the contribution claims brought by IMI and Boliden are due by March 15, 2013. There is then to be a case management conference on the first available date after March 25, 2013.

As to the claims arising from the Copper Fittings Decision, these proceedings have been stayed until the next case management conference which is to take place on the first available date after May 31, 2013.

#### **Canadian Dumping and Countervail Investigation**

In 2007, the Canada Border Services Agency (CBSA) determined that the Company and certain affiliated companies, as exporters and importers of copper fittings (subject goods) from the U.S. to Canada, had dumped the subject goods during the investigation period. In 2007, the Canadian International Trade Tribunal concluded that the dumping had caused injury to the Canadian industry. As a result of these findings, exports of subject goods to Canada made on or after October 20, 2006 have been subject to antidumping measures. Antidumping duties will be imposed on the Company only to the extent that the Company's future exports of copper pipe fittings are made at net export prices that are below normal values set by the CBSA. The measures remain in place for five years at which time Canadian authorities determine whether to maintain the measures for an additional five years or allow them to expire. Canadian authorities conducted such a sunset review and on February 17, 2012 found that the dumping order should be maintained for another five years.

On February 8, 2013, the CBSA completed a review process to revise the normal values issued to the Company. Given the small percentage of its products that are sold for export to Canada, the Company does not anticipate any material adverse effect on its financial position, results of operations or cash flows as a result of the antidumping case in Canada.

#### **ITEM 4. MINE SAFETY DISCLOSURES**

Not applicable.

## PART II

### ITEM 5. MARKET FOR REGISTRANT'S COMMON EQUITY, RELATED STOCKHOLDER MATTERS AND ISSUER PURCHASES OF EQUITY SECURITIES

As of February 25, 2013, the number of holders of record of Mueller's common stock was approximately 1,020. On February 25, 2013, the closing price for Mueller's common stock on the New York Stock Exchange was \$51.98.

#### *Issuer Purchases of Equity Securities*

The Company's Board of Directors has extended, until October 2013, the authorization to repurchase up to ten million shares of the Company's common stock through open market transactions or through privately negotiated transactions. The Company has no obligation to purchase any shares and may cancel, suspend, or extend the time period for the purchase of shares at any time. Any purchases will be funded primarily through existing cash and cash from operations. The Company may hold any shares purchased in treasury or use a portion of the repurchased shares for its stock-based compensation plans, as well as for other corporate purposes. From its initial authorization in 1999 through December 29, 2012, the Company had repurchased approximately 2.4 million shares under this authorization. The Company's repurchase transaction with Leucadia National Corporation in September 2012 was completed outside of this authorization. Below is a summary of the Company's stock repurchases for the quarter ended December 29, 2012.

	(a)	(b)	(c)	(d)
	Total Number of Shares Purchased	Average Price Paid per Share	Total Number of Shares Purchased as Part of Publicly Announced Plans or Programs	Maximum Number of Shares That May Yet Be Purchased Under the Plans or Programs
September 30 – October 27, 2012	315,353 <sup>(2)</sup>	\$ 49.78	—	7,644,530 <sup>(1)</sup>
October 28 – November 24, 2012	4,251 <sup>(2)</sup>	43.67	—	
November 25 – December 29, 2012	20,621 <sup>(2)</sup>	49.49	—	

- (1) Shares available to be purchased under the Company's ten million share repurchase authorization until October 2013. The extension of the authorization was announced on October 26, 2012.
- (2) Shares tendered to the Company by holders of stock based awards in payment of purchase price and/or withholding taxes upon exercise. In addition, includes restricted stock forfeitures.

The Company's Board of Directors declared a regular quarterly dividend of 12.5 cents in the fourth quarter of 2012 and 10 cents per share on its common stock for the first three quarters of 2012 and each quarter of 2011. Payment of dividends in the future is dependent upon the Company's financial condition, cash flows, capital requirements, earnings, and other factors.

The high, low, and closing prices of Mueller's common stock on the New York Stock Exchange for each fiscal quarter of 2012 and 2011 were as follows:

	<u>High</u>	<u>Low</u>	<u>Close</u>
2012			
Fourth quarter	\$51.41	\$42.43	\$49.26
Third quarter	48.48	39.72	45.47
Second quarter	47.28	39.89	42.59
First quarter	49.86	38.16	45.45
2011			
Fourth quarter	\$46.33	\$35.51	\$38.42
Third quarter	47.72	36.14	38.59
Second quarter	40.13	34.60	38.47
First quarter	37.32	31.08	36.95

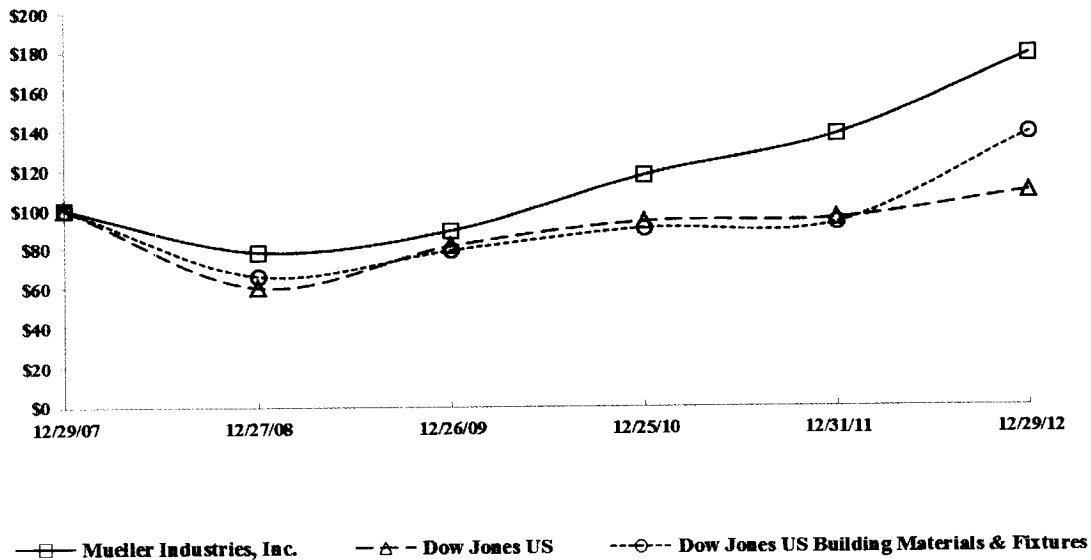


## PERFORMANCE GRAPH

The following table compares total stockholder return since December 29, 2007 to the Dow Jones U.S. Total Market Index (Total Market Index) and the Dow Jones U.S. Building Materials & Fixtures Index (Building Materials Index). Total return values for the Total Market Index, the Building Materials Index and the Company were calculated based on cumulative total return values assuming reinvestment of dividends. The common stock is traded on the New York Stock Exchange under the symbol MLI.

### COMPARISON OF 5 YEAR CUMULATIVE TOTAL RETURN\*

Among Mueller Industries, Inc., the Dow Jones US Index,  
and the Dow Jones US Building Materials & Fixtures Index



\*\$100 invested on 12/29/07 in stock or index, including reinvestment of dividends.

Copyright© 2013 Dow Jones & Co. All rights reserved.

	<u>2007</u>	<u>2008</u>	<u>2009</u>	<u>2010</u>	<u>2011</u>	<u>2012</u>
Mueller Industries, Inc.	100	78.24	89.06	117.24	137.79	178.35
Dow Jones U.S. Total Market Index	100	60.21	81.28	93.72	95.05	108.72
Dow Jones U.S. Building Materials & Fixtures Index	100	66.14	79.00	90.22	92.81	138.32

## ITEM 6. SELECTED FINANCIAL DATA

(In thousands, except per share data)

	<u>2012</u>	<u>2011</u>	<u>2010</u>	<u>2009</u>	<u>2008</u>
For the fiscal year: (1)					
Net sales	\$ 2,189,938	\$ 2,417,797	\$ 2,059,797	\$ 1,547,225	\$ 2,558,448
Operating income	126,705 (2)	139,802 (3)	136,147 (4)	32,220 (5)	126,096 (6)
Net income attributable to Mueller Industries, Inc.	82,395	86,321	86,171	4,675	80,814 (6)
Diluted earnings per share	2.31 (8)	2.26	2.28	0.12	2.17
Cash dividends per share	0.425	0.40	0.40	0.40	0.40
At year-end:					
Total assets	1,104,155	1,347,604	1,258,996	1,180,141	1,182,913
Long-term debt	207,300	156,476	158,226	158,226	158,726

- (1) Includes activity of acquired businesses from the following purchase dates: Westermeyer Industries, Inc., August 16, 2012, Tube Forming L.P., December 28, 2010, and Linesets, Inc., August 6, 2010.
- (2) Includes deferred recognition of \$8.0 million gain from liquidation of LIFO inventory layers, \$4.1 million net gain from settlement of litigation, \$1.5 million gain from settlement of insurance claims, and severance charges of \$3.4 million.
- (3) Includes \$10.5 million gain from settlement of litigation.
- (4) Includes \$22.7 million gain from settlement of insurance claims.
- (5) Includes impairment charges of \$29.8 million, primarily related to goodwill.
- (6) Includes \$14.9 million pre-tax gain from liquidation of LIFO layers less a pre-tax charge of \$4.9 million to write down inventories to the lower-of-cost-or-market and a goodwill impairment charge of \$18.0 million.
- (7) Includes the net-of-tax effect of all of the items described in (6) above, plus a provision of \$15.4 million (\$9.6 million after tax) related to environmental settlements and obligations and a gain of \$21.6 million related to the early extinguishment of debt.
- (8) Includes the impact of 10.4 million shares repurchased from Leucadia National Corporation in September 2012.

**ITEM 7. MANAGEMENT’S DISCUSSION AND ANALYSIS OF FINANCIAL CONDITION AND RESULTS OF OPERATIONS**

Management’s discussion and analysis of financial condition and results of operations is contained under the caption “Financial Review” submitted as a separate section of this Annual Report on Form 10-K commencing on page F-2.

**ITEM 7A. QUANTITATIVE AND QUALITATIVE DISCLOSURES ABOUT MARKET RISK**

Quantitative and qualitative disclosures about market risk are contained under the caption “Financial Review” submitted as a separate section of this Annual Report on Form 10-K commencing on page F-2.

**ITEM 8. FINANCIAL STATEMENTS AND SUPPLEMENTARY DATA**

Financial Statements required by this item are contained in a separate section of this Annual Report on Form 10-K commencing on page F-1.

**ITEM 9. CHANGES IN AND DISAGREEMENTS WITH ACCOUNTANTS ON ACCOUNTING AND FINANCIAL DISCLOSURE**

None.

**ITEM 9A. CONTROLS AND PROCEDURES**

*Evaluation of Disclosure Controls and Procedures*

The Company maintains disclosure controls and procedures designed to ensure information required to be disclosed in Company reports filed under the Securities Exchange Act of 1934, as amended (the Exchange Act), is recorded, processed, summarized, and reported within the time periods specified in the SEC’s rules and forms. Disclosure controls and procedures are designed to provide reasonable assurance that information required to be disclosed in Company reports filed under the Exchange Act is accumulated and communicated to management, including the Company’s Chief Executive Officer and Chief Financial Officer, as appropriate, to allow timely decisions regarding required disclosure.

The Company’s management, with the participation of the Company’s Chief Executive Officer and Chief Financial Officer, has evaluated the effectiveness of the Company’s disclosure controls and procedures pursuant to Rule 13a-15(e) of the Exchange Act as of December 29, 2012. Based on that evaluation, the Company’s Chief Executive Officer and Chief Financial Officer have concluded that the Company’s disclosure controls and procedures are effective as of December 29, 2012 to ensure that information required to be disclosed in Company reports filed under the Exchange Act is (i) recorded, processed, summarized and reported within the time periods specified in the SEC rules and forms and (ii) accumulated and communicated to management, including the Company’s principal executive officer and principal financial officer, as appropriate to allow timely decisions regarding required disclosure.

## ***Management's Report on Internal Control over Financial Reporting***

The Company's management is responsible for establishing and maintaining adequate internal control over financial reporting as defined in Rules 13a-15(f) under the Securities Exchange Act of 1934. Pursuant to the rules and regulations of the SEC, internal control over financial reporting is a process designed by, or under the supervision of, the Company's principal executive and principal financial officers, and effected by the Company's board of directors, management and other personnel, to provide reasonable assurance regarding the reliability of financial reporting and the preparation of financial statements for external purposes in accordance with accounting principles generally accepted in the United States and includes those policies and procedures that (i) pertain to the maintenance of records that in reasonable detail accurately and fairly reflect the transactions and dispositions of the Company's assets; (ii) provide reasonable assurance that transactions are recorded as necessary to permit preparation of financial statements in accordance with generally accepted accounting principles, and that receipts and expenditures of the issuer are being made only in accordance with authorizations of the Company's management and directors; and (iii) provide reasonable assurance regarding prevention or timely detection of unauthorized acquisition, use or disposition of the Company's assets that could have a material effect on the financial statements. Due to inherent limitations, internal control over financial reporting may not prevent or detect misstatements. Further, because of changes in conditions, effectiveness of internal control over financial reporting may vary over time.

The Company's management, with the participation of the Company's Chief Executive Officer and Chief Financial Officer, has evaluated the effectiveness of the Company's internal control over financial reporting as of December 29, 2012 based on the control criteria established in a report entitled *Internal Control—Integrated Framework*, issued by the Committee of Sponsoring Organizations of the Treadway Commission (COSO). Based on such evaluation management has concluded that our internal control over financial reporting is effective as of December 29, 2012.

Ernst & Young LLP (E&Y), the independent registered public accounting firm that audited the Company's financial statements included in this Annual Report on Form 10-K, has issued an attestation report on the Company's internal control over financial reporting, which is included herein.

## ***Changes in Internal Control Over Financial Reporting***

During the fourth quarter of 2012, the Company determined that control deficiencies in its internal control over financial reporting at one of its divisions, the Standard Products Division (SPD), existed as of December 31, 2011. These control deficiencies related to a combination of appropriate review of significant manual journal entries as well as financial review monitoring controls. The Company and E&Y have concluded that, had it and they been aware of the combination of these control deficiencies in the Company's internal control over financial reporting at February 28, 2012, the date of its and their reports on internal control over financial reporting as of December 31, 2011, both would have concluded that a material weakness existed and that the Company's internal control over financial reporting was ineffective at that date.

The material weakness did not result in a material misstatement in the Company's financial position, results of operations, or cash flows as of and for the period ended December 31, 2011. Furthermore, during the fourth quarter of 2012, the Company designed and implemented remediation measures to address the material weakness described above and enhance the Company's internal control over financial reporting. The following actions which the Company believes have remediated the material weakness in internal control over financial reporting were completed as of the date of this filing:

- The Company reorganized the accounting function of SPD that was in place when the control deficiencies occurred and supplemented that function with a finance team that has more public company accounting and finance experience; and
- The finance team effectively added monitoring practices concerning the review of manual journal entries and reported financial results.



## Report of Independent Registered Public Accounting Firm

The Board of Directors and Stockholders of Mueller Industries, Inc.

We have audited Mueller Industries, Inc.'s internal control over financial reporting as of December 29, 2012, based on criteria established in Internal Control—Integrated Framework issued by the Committee of Sponsoring Organizations of the Treadway Commission (the COSO criteria). Mueller Industries, Inc.'s management is responsible for maintaining effective internal control over financial reporting, and for its assessment of the effectiveness of internal control over financial reporting included in the accompanying Management's Report on Internal Control over Financial Reporting. Our responsibility is to express an opinion on the company's internal control over financial reporting based on our audit.

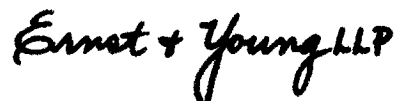
We conducted our audit in accordance with the standards of the Public Company Accounting Oversight Board (United States). Those standards require that we plan and perform the audit to obtain reasonable assurance about whether effective internal control over financial reporting was maintained in all material respects. Our audit included obtaining an understanding of internal control over financial reporting, assessing the risk that a material weakness exists, testing and evaluating the design and operating effectiveness of internal control based on the assessed risk, and performing such other procedures as we considered necessary in the circumstances. We believe that our audit provides a reasonable basis for our opinion.

A company's internal control over financial reporting is a process designed to provide reasonable assurance regarding the reliability of financial reporting and the preparation of financial statements for external purposes in accordance with generally accepted accounting principles. A company's internal control over financial reporting includes those policies and procedures that (1) pertain to the maintenance of records that, in reasonable detail, accurately and fairly reflect the transactions and dispositions of the assets of the company; (2) provide reasonable assurance that transactions are recorded as necessary to permit preparation of financial statements in accordance with generally accepted accounting principles, and that receipts and expenditures of the company are being made only in accordance with authorizations of management and directors of the company; and (3) provide reasonable assurance regarding prevention or timely detection of unauthorized acquisition, use, or disposition of the company's assets that could have a material effect on the financial statements.

Because of its inherent limitations, internal control over financial reporting may not prevent or detect misstatements. Also, projections of any evaluation of effectiveness to future periods are subject to the risk that controls may become inadequate because of changes in conditions, or that the degree of compliance with the policies or procedures may deteriorate.

In our opinion, Mueller Industries, Inc. maintained, in all material respects, effective internal control over financial reporting as of December 29, 2012, based on the COSO criteria.

We also have audited, in accordance with the standards of the Public Company Accounting Oversight Board (United States), the consolidated balance sheets of Mueller Industries, Inc. as of December 29, 2012 and December 31, 2011, and the related consolidated statements of income, comprehensive income, changes in equity and cash flows for each of the three years in the period ended December 29, 2012 and our report dated February 27, 2013 expressed an unqualified opinion thereon.

The logo for Ernst & Young LLP, featuring the company name in a stylized, handwritten-style font.

Memphis, Tennessee  
February 27, 2013

## **ITEM 9B. OTHER INFORMATION**

None.

## **PART III**

### **ITEM 10. DIRECTORS, EXECUTIVE OFFICERS, AND CORPORATE GOVERNANCE**

The information required by Item 10 is contained under the captions “Ownership of Common Stock by Directors and Executive Officers and Information about Director Nominees,” “Corporate Governance,” “Report of the Audit Committee of the Board of Directors,” and “Section 16(a) Beneficial Ownership Compliance Reporting” in the Company’s Proxy Statement for its 2013 Annual Meeting of Stockholders to be filed with the SEC on or about March 20, 2013, which is incorporated herein by reference.

The Company intends to disclose any amendments to its Code of Business Conduct and Ethics by posting such information to the Company’s website at [www.muellerindustries.com](http://www.muellerindustries.com).

### **ITEM 11. EXECUTIVE COMPENSATION**

The information required by Item 11 is contained under the caption “Compensation Discussion and Analysis,” “Summary Compensation Table for 2012,” “2012 Grants of Plan Based Awards Table,” “Outstanding Equity Awards at Fiscal 2012 Year-End,” “2012 Option Exercises and Stock Vested,” “Employment and Consulting Agreements,” “Potential Payments Under Employment and Consulting Agreements as of the End of 2012,” “2012 Director Compensation,” “Report of the Compensation Committee of the Board of Directors on Executive Compensation” and “Corporate Governance” in the Company’s Proxy Statement for its 2013 Annual Meeting of Stockholders to be filed with the SEC on or about March 20, 2013, which is incorporated herein by reference.

**ITEM 12. SECURITY OWNERSHIP OF CERTAIN BENEFICIAL OWNERS AND MANAGEMENT AND RELATED STOCKHOLDER MATTERS**

**Equity Compensation Plan Information**

The following table discloses information regarding the securities to be issued and the securities remaining available for issuance under the Registrant’s stock-based incentive plans as of December 29, 2012 (shares in thousands):

Plan category	(a) Number of securities to be issued upon exercise of outstanding options, warrants, and rights	(b) Weighted average exercise price of outstanding options, warrants, and rights	(c) Number of securities remaining available for future issuance under equity compensation plans (excluding securities reflected in column (a))
Equity compensation plans approved by security holders	694	\$ 28.93	329 (1)
Equity compensation plans not approved by security holders	—	—	—
<b>Total</b>	<b>694</b>	<b>\$ 28.93</b>	<b>329</b>

(1) Of the 329 thousand securities remaining available for issuance under the equity compensation plans, 317 thousand are available under the Company’s 2009 Stock Incentive Plan for issuance of restricted stock, stock appreciation rights, or stock options. The remaining securities are available for issuance of stock options to the Board of Directors only.

Other information required by Item 12 is contained under the captions “Principal Stockholders” and “Ownership of Common Stock by Directors and Executive Officers and Information about Director Nominees” in the Company’s Proxy Statement for its 2013 Annual Meeting of Stockholders to be filed with the SEC on or about March 20, 2013, which is incorporated herein by reference.

**ITEM 13. CERTAIN RELATIONSHIPS AND RELATED TRANSACTIONS, AND DIRECTOR INDEPENDENCE**

The information required by Item 13 is contained under the caption “Corporate Governance” in the Company’s Proxy Statement for its 2013 Annual Meeting of Stockholders to be filed with the SEC on or about March 20, 2013, which is incorporated herein by reference.

**ITEM 14. PRINCIPAL ACCOUNTING FEES AND SERVICES**

The information required by Item 14 is contained under the caption “Appointment of Independent Registered Public Accounting Firm” in the Company’s Proxy Statement for its 2013 Annual Meeting of Stockholders to be filed with the SEC on or about March 20, 2013, which is incorporated herein by reference.

## PART IV

### ITEM 15. EXHIBITS, FINANCIAL STATEMENT SCHEDULES

- (a) The following documents are filed as part of this report:
1. Financial Statements: the financial statements, notes, and report of independent registered public accounting firm described in Item 8 of this Annual Report on Form 10-K are contained in a separate section of this Annual Report on Form 10-K commencing on page F-1.
  2. Financial Statement Schedule: the financial statement schedule described in Item 8 of this report is contained in a separate section of this Annual Report on Form 10-K commencing on page F-1.
  3. Exhibits:
    - 3.1 Restated Certificate of Incorporation of the Registrant dated February 8, 2007 (Incorporated herein by reference to Exhibit 3.1 of the Registrant's Annual Report on Form 10-K, dated February 28, 2007, for the fiscal year ended December 30, 2006).
    - 3.2 Amended and Restated By-laws of the Registrant, effective as of January 1, 2012 (Incorporated herein by reference to Exhibit 3.1 of the Registrant's Current Report on Form 8-K, dated November 3, 2011).
    - 4.1 Indenture, dated as of October 26, 2004, by and between Mueller Industries, Inc., and SunTrust Bank, as trustee (Incorporated herein by reference to Exhibit 4.1 of the Registrant's Current Report on Form 8-K, dated October 26, 2004).
    - 4.2 Certain instruments with respect to long-term debt of the Registrant have not been filed as Exhibits to this Report since the total amount of securities authorized under any such instruments does not exceed 10 percent of the total assets of the Registrant and its subsidiaries on a consolidated basis. The Registrant agrees to furnish a copy of each such instrument upon request of the SEC.
    - 10.1 Amended and Restated Employment Agreement, effective as of September 17, 1997, by and between the Registrant and Harvey L. Karp (Incorporated herein by reference to Exhibit 10.8 of the Registrant's Annual Report on Form 10-K, dated March 24, 2003, for the fiscal year ended December 28, 2002).
    - 10.2 Amendment, dated June 21, 2004, to the Amended and Restated Employment Agreement dated as of September 17, 1997, by and between the Registrant and Harvey Karp (Incorporated herein by reference to Exhibit 10.3 of the Registrant's Quarterly Report on Form 10-Q, for the quarter ended June 26, 2004, dated July 16, 2004).
    - 10.3 Second Amendment, dated February 17, 2005, to the Amended and Restated Employment Agreement, dated as of September 17, 1997, between the Registrant and Harvey Karp (Incorporated herein by reference to Exhibit 10.2 of the Registrant's Current Report on Form 8-K, dated May 5, 2005).
    - 10.4 Third Amendment, dated October 25, 2007, to the Amended and Restated Employment Agreement, dated as of September 17, 1997, by and between the Registrant and Harvey Karp (Incorporated herein by reference to Exhibit 10.1 of the Registrant's Current Report on Form 8-K, dated October 25, 2007).



- 10.5 Fourth Amendment, dated December 2, 2008, to the Amended and Restated Employment Agreement, dated as of September 17, 1997, by and between the Registrant and Harvey Karp (Incorporated herein by reference to Exhibit 10.5 of the Registrant's Annual Report on Form 10-K, dated February 24, 2009, for the fiscal year ended December 27, 2008).
- 10.6 Amended and Restated Consulting Agreement, dated October 25, 2007, by and between the Registrant and Harvey Karp (Incorporated herein by reference to Exhibit 10.2 of the Registrant's Current Report on Form 8-K, dated October 25, 2007).
- 10.7 Amendment No. 1, dated December 2, 2008, to the Amended and Restated Consulting Agreement, dated October 25, 2007, by and between the Registrant and Harvey Karp (Incorporated herein by reference to Exhibit 10.7 of the Registrant's Annual Report on Form 10-K, dated February 24, 2009, for the fiscal year ended December 27, 2008).
- 10.8 Letter Agreement with Harvey Karp, dated as of May 11, 2011 (Incorporated herein by reference to Exhibit 10.1 of the Registrant's Current Report on Form 8-K, dated May 16, 2011).
- 10.9 Employment Agreement, effective October 17, 2002, by and between the Registrant and Kent A. McKee (Incorporated herein by reference to Exhibit 10.18 of the Registrant's Annual Report on Form 10-K, dated March 24, 2003, for the fiscal year ended December 28, 2002).
- 10.10 Amendment No. 1, dated December 10, 2008, to the Employment Agreement, effective October 17, 2002, by and between the Registrant and Kent A. McKee (Incorporated herein by reference to Exhibit 10.16 of the Registrant's Annual Report on Form 10-K, dated February 24, 2009, for the fiscal year ended December 27, 2008).
- 10.11 Amended and Restated Employment Agreement, effective October 30, 2008, by and between the Registrant and Gregory L. Christopher (Incorporated herein by reference to Exhibit 10.1 of the Registrant's Current Report on Form 8-K, dated December 26, 2008).
- 10.12 Mueller Industries, Inc. 1994 Non-Employee Director Stock Option Plan, as amended (Incorporated herein by reference to Exhibit 10.12 of the Registrant's Annual Report on Form 10-K, dated March 24, 2003, for the fiscal year ended December 28, 2002 and Exhibit 99.6 of the Registrant's Current Report on Form 8-K, dated August 31, 2004).
- 10.13 Mueller Industries, Inc. 1998 Stock Option Plan, as amended (Incorporated herein by reference to Exhibit 10.14 of the Registrant's Annual Report on Form 10-K, dated March 24, 2003, for the fiscal year ended December 28, 2002 and Exhibit 99.4 of the Registrant's Current Report on Form 8-K, dated August 31, 2004).
- 10.14 Mueller Industries, Inc. 2002 Stock Option Plan Amended and Restated as of February 16, 2006 (Incorporated herein by reference to Exhibit 10.20 of the Registrant's Annual Report on Form 10-K, dated February 28, 2007, for the fiscal year ended December 30, 2006).
- 10.15 Mueller Industries, Inc. 2009 Stock Incentive Plan (Incorporated by reference from Appendix I to the Company's 2009 Definitive Proxy Statement with respect to the Company's 2009 Annual Meeting of Stockholders, as filed with the Securities and Exchange Commission on March 26, 2009).
- 10.16 Amendment to the Mueller Industries, Inc. 2002 Stock Option Plan, dated July 11, 2011 (Incorporated herein by reference to Exhibit 10.16 of the Registrant's Annual Report on Form 10-K, dated February 28, 2012, for the fiscal year ended December 31, 2011).

- 10.17 Amendment to the Mueller Industries, Inc. 2009 Stock Incentive Plan, dated July 11, 2011 (Incorporated herein by reference to Exhibit 10.17 of the Registrant's Annual Report on Form 10-K, dated February 28, 2012, for the fiscal year ended December 31, 2011).
- 10.18 Mueller Industries, Inc. 2011 Annual Bonus Plan (Incorporated herein by reference to Exhibit 10.18 of the Registrant's Annual Report on Form 10-K, dated February 28, 2012, for the fiscal year ended December 31, 2011).
- 10.19 Summary description of the Registrant's 2013 incentive plan for certain key employees.
- 10.20 Amended Credit Agreement, dated as of March 7, 2011, among the Registrant (as Borrower) and Bank of America, N.A. (as agent), and certain lenders named therein, following adoption of Amendment No. 2 dated December 11, 2012.
- 10.21 Amendment No. 1 to Credit Agreement among the Registrant (as borrower), Bank of America, N.A. (as agent), and certain lenders named therein dated August 12, 2011 (Incorporated herein by reference to Exhibit 10.1 of the Registrant's Quarterly Report on Form 10-Q, for the Quarterly period ended October 1, 2011, dated October 27, 2011).
- 10.22 Amendment No. 2 to Credit Agreement among the Registrant (as borrower), Bank of America, N.A. (as agent), and certain lenders named therein dated December 11, 2012.
- 10.23 Employment Agreement by and between the Registrant and James H. Rourke, dated March 23, 2012 (Incorporated by reference to Exhibit 10.1 of the Registrant's Current Report on Form 8-K, dated March 26, 2012).
- 10.24 Share Repurchase Agreement, dated as of September 23, 2012, by and among Mueller Industries, Inc., Leucadia National Corporation and BEI-Longhorn, LLC. (Incorporated by reference to Exhibit 10.1 of the Registrant's Current Report on Form 8-K, dated September 24, 2012).
- 10.25 Amended and Restated Letter Agreement, dated as of September 23, 2012, by and between Mueller Industries, Inc. and Leucadia National Corporation (Incorporated by reference to Exhibit 10.1 of the Registrant's Current Report on Form 8-K, dated September 24, 2012).
- 10.26 Separation Agreement by and between the Registrant and Kent A. McKee, dated November 7, 2012 (Incorporated by reference to Exhibit 10.1 of the Registrant's Current Report on Form 8-K, dated November 9, 2012).
- 10.27 Amendment No. 1 to Amended and Restated Employment Agreement by and between the Registrant and Gregory L. Christopher, dated February 14, 2013 (Incorporated by reference to Exhibit 10.1 of the Registrant's Current Report on Form 8-K, dated February 14, 2013).
- 21.0 Subsidiaries of the Registrant.
- 23.0 Consent of Independent Registered Public Accounting Firm.
- 31.1 Certification of Chief Executive Officer pursuant to Rule 13a-14(a) and Rule 15d-14(a) of the Securities Exchange Act of 1934, as amended.
- 31.2 Certification of Chief Financial Officer pursuant to Rule 13a-14(a) and Rule 15d-14(a) of the Securities Exchange Act of 1934, as amended.
- 32.1 Certification of Chief Executive Officer pursuant to 18 U.S.C. 1350, as adopted pursuant to Section 906 of the Sarbanes-Oxley Act of 2002.

- 32.2 Certification of Chief Financial Officer pursuant to 18 U.S.C. 1350, as adopted pursuant to Section 906 of the Sarbanes-Oxley Act of 2002.
- 101.CAL XBRL Taxonomy Extension Calculation Linkbase
- 101.DEF XBRL Taxonomy Extension Definition Linkbase
- 101.INS XBRL Instance Document
- 101.LAB XBRL Taxonomy Extension Label Linkbase
- 101.PRE XBRL Presentation Linkbase Document
- 101.SCH XBRL Taxonomy Extension Schema

## SIGNATURES

Pursuant to the requirements of Section 13 or 15(d) of the Securities Exchange Act of 1934, the Registrant has duly caused this report to be signed on its behalf by the undersigned, thereunto duly authorized, on February 27, 2013.

### MUELLER INDUSTRIES, INC.

/s/ GREGORY L. CHRISTOPHER  
Gregory L. Christopher, Chief Executive Officer  
(Principal Executive Officer), and Director

Pursuant to the requirements of the Securities Exchange Act of 1934, this report has been signed below by the following persons on behalf of the Registrant and in the capacities and on the date indicated.

<u>Signature</u>	<u>Title</u>	<u>Date</u>
<u>/s/ GARY S. GLADSTEIN</u> Gary S. Gladstein	Chairman of the Board, and Director	February 27, 2013
<u>/s/ GREGORY L. CHRISTOPHER</u> Gregory L. Christopher	Chief Executive Officer (Principal Executive Officer), and Director	February 27, 2013
<u>/s/ ALEXANDER P. FEDERBUSH</u> Alexander P. Federbush	Director	February 27, 2013
<u>/s/ PAUL J. FLAHERTY</u> Paul J. Flaherty	Director	February 27, 2013
<u>/s/ GENNARO J. FULVIO</u> Gennaro J. Fulvio	Director	February 27, 2013
<u>/s/ SCOTT J. GOLDMAN</u> Scott J. Goldman	Director	February 27, 2013
<u>/s/ TERRY HERMANSON</u> Terry Hermanson	Director	February 27, 2013

Pursuant to the requirements of the Securities Exchange Act of 1934, this report has been signed below by the following persons on behalf of the Registrant and in the capacities and on the date indicated.

<u>Signature and Title</u>	<u>Date</u>
<u>/s/ JEFFREY A. MARTIN</u> Jeffrey A. Martin Chief Financial Officer and Treasurer (Principal Financial and Accounting Officer)	February 27, 2013
<u>/s/ RICHARD W. CORMAN</u> Richard W. Corman Vice President – Controller	February 27, 2013

*This page intentionally left blank*



**MUELLER INDUSTRIES, INC.**

**INDEX TO CONSOLIDATED FINANCIAL STATEMENTS**

Financial Review	F- 2
Consolidated Statements of Income for the years ended December 29, 2012, December 31, 2011, and December 25, 2010	F- 12
Consolidated Statements of Comprehensive Income for the years ended December 29, 2012, December 31, 2011, and December 25, 2010	F- 13
Consolidated Balance Sheets as of December 29, 2012 and December 31, 2011	F- 14
Consolidated Statements of Cash Flows for the years ended December 29, 2012, December 31, 2011, and December 25, 2010	F- 15
Consolidated Statements of Changes in Equity for the years ended December 29, 2012, December 31, 2011, and December 25, 2010	F- 16
Notes to Consolidated Financial Statements	F- 18
Report of Independent Registered Public Accounting Firm	F- 49

**FINANCIAL STATEMENT SCHEDULE**

Schedule for the years ended December 29, 2012, December 31, 2011, and December 25, 2010	
Valuation and Qualifying Accounts (Schedule II)	F- 50

## FINANCIAL REVIEW

### OVERVIEW

The Company is a leading manufacturer of copper, brass, plastic, and aluminum products. The range of these products is broad: copper tube and fittings; brass and copper alloy rod, bar, and shapes; aluminum and brass forgings; aluminum and copper impact extrusions; plastic pipe, fittings and valves; refrigeration valves and fittings; fabricated tubular products; and steel nipples. The Company also resells imported brass and plastic plumbing valves, malleable iron fittings, faucets and plumbing specialty products. Mueller's operations are located throughout the United States and in Canada, Mexico, Great Britain, and China.

The Company's businesses are aggregated into two reportable segments: the Plumbing & Refrigeration segment and the Original Equipment Manufacturers (OEM) segment. For disclosure purposes, as permitted under Accounting Standards Codification (ASC) 280, *Segment Reporting*, certain operating segments are aggregated into reportable segments. The Plumbing & Refrigeration segment is composed of the Standard Products Division (SPD), European Operations, and Mexican Operations. The OEM segment is composed of the Industrial Products Division (IPD), Engineered Products Division (EPD), and Jiangsu Mueller-Xingrong Copper Industries Limited (Mueller-Xingrong), the Company's Chinese joint venture. Certain administrative expenses and expenses related primarily to retiree benefits at inactive operations are combined into the Corporate and Eliminations classification. These reportable segments are described in more detail below.

SPD manufactures and sells copper tube, copper and plastic fittings, line sets, plastic pipe, and valves in North America and sources products for import distribution in North America. European Operations manufacture copper tube in Europe, which is sold in Europe and the Middle East; activities also include import distribution in the U.K. and Ireland. Mexican Operations consist of pipe nipple manufacturing and import distribution businesses including product lines of malleable iron fittings and other plumbing specialties. The Plumbing & Refrigeration segment sells products to wholesalers in the heating, ventilation, and air-conditioning (HVAC), plumbing, and refrigeration markets, to distributors to the manufactured housing and recreational vehicle industries, and to building material retailers.

The OEM segment manufactures and sells brass and copper alloy rod, bar, and shapes; aluminum and brass forgings; aluminum and copper impact extrusions; refrigeration valves and fittings; fabricated tubular products; and gas valves and assemblies. Mueller-Xingrong manufactures engineered copper tube primarily for air-conditioning applications; these products are sold primarily to OEM's located in China. The OEM segment sells its products primarily to original equipment manufacturers, many of which are in the HVAC, plumbing, and refrigeration markets.

New housing starts and commercial construction are important determinants of the Company's sales to the HVAC, refrigeration, and plumbing markets because the principal end use of a significant portion of the Company's products is in the construction of single and multi-family housing and commercial buildings. Repairs and remodeling projects are also important drivers of underlying demand for these products.

The majority of the Company's manufacturing facilities operated at significantly below capacity during 2012, 2011, and 2010 due to the reduced demand for the Company's products arising from the general economic conditions in the U.S. and foreign markets that the Company serves. The U.S. housing and residential construction market has not fully recovered from the economic downturn during 2008 and 2009. The recent years from 2009 through 2012 had the lowest recorded housing starts since recordkeeping began in 1959. From 1959 through 2007, annual new housing starts averaged 1.5 million units. Per the U.S. Census Bureau, new housing starts in the U.S. were 780 thousand in 2012, which compares with 609 thousand in 2011 and 587 thousand in 2010, all of which are substantially below average historic levels. Mortgage rates have remained at low levels during 2012, 2011 and 2010, as the average 30-year fixed mortgage rate was 3.35 percent in December 2012, 3.96 percent in December 2011, and 4.71 percent in December 2010. Commercial construction has also declined significantly in recent years and, in fact, most categories remain at levels less than a decade ago. According to the U.S. Census Bureau, the actual private nonresidential value of construction put in place was \$297.7 billion in 2012, \$258.0 billion in 2011, and \$263.8 billion in 2010, significantly less than activity levels in 2008 and 2009. Business conditions in the U.S.

automotive industry were also exceptionally difficult in the economic downturn during 2008 and 2009, which affected the demand for various products in the Company's OEM segment; however, improvements have occurred in 2011 and 2012. These conditions have significantly affected the demand for virtually all of the Company's core products in recent years.

Residential construction activity improved in 2012 but is still at historical lows. Recovery in the near-term is expected but may be tempered by continuing high rates of unemployment and tighter lending standards. The private non-residential construction sector, which includes offices, industrial and retail projects, showed improvement in 2012 after declines of two percent in 2011, 23 percent in 2010 and 16 percent in 2009. The Company expects that most of these conditions will gradually improve, but at an irregular pace.

Profitability of certain of the Company's product lines depends upon the "spreads" between the cost of raw material and the selling prices of its products. The open market prices for copper cathode and scrap, for example, influence the selling price of copper tube, a principal product manufactured by the Company. The Company attempts to minimize the effects on profitability from fluctuations in material costs by passing through these costs to its customers. The Company's earnings and cash flow are dependent upon these spreads that fluctuate based upon market conditions.

Earnings and profitability are also impacted by unit volumes that are subject to market trends, such as substitute products, imports, technologies, and market share. In core product lines, the Company intensively manages its pricing structure while attempting to maximize its profitability. From time-to-time, this practice results in lost sales opportunities and lower volume. For plumbing systems, plastics are the primary substitute product; these products represent an increasing share of consumption. U.S. consumption of copper tube is still predominantly supplied by U.S. manufacturers. For certain air-conditioning and refrigeration applications, aluminum based systems are the primary substitution threat. The Company cannot predict the acceptance or the rate of switching that may occur. In recent years, brass rod consumption in the U.S. has declined due to the outsourcing of many manufactured products from offshore regions.

The years ended December 29, 2012 and December 25, 2010 contained 52 weeks, while the year ended December 31, 2011 contained 53 weeks.

## **RESULTS OF OPERATIONS**

### **2012 Performance Compared with 2011**

Consolidated net sales in 2012 were \$2.19 billion, a 10 percent decrease compared with net sales of \$2.42 billion in 2011. The decrease was largely attributable to the decrease in base metal prices, primarily copper, and slightly lower unit volumes in many of the Company's core products. Net selling prices generally fluctuate with changes in raw material costs. Changes in raw material costs are generally passed through to customers by adjustments to selling prices. The Comex average copper price in 2012 was approximately \$3.61 per pound, or 10 percent lower than the 2011 average of \$4.01 per pound.

Cost of goods sold was \$1.90 billion in 2012 compared with \$2.12 billion in 2011. The year-over-year decrease was due primarily to the decrease in the price of copper, the Company's principal raw material, and slightly lower sales volume in its core product lines. In addition, the Company recognized a deferred gain from LIFO liquidation that resulted in a reduction of approximately \$8.0 million to cost of sales.

Depreciation and amortization decreased from \$36.9 million in 2011 to \$31.5 million in 2012 due to certain assets becoming fully depreciated. Selling, general, and administrative expenses decreased to \$129.5 million in 2012; this \$6.5 million decrease was primarily due to decreased employment costs, including incentive compensation, of \$5.9 million. These decreases were partially offset by increased professional fees of \$2.5 million.

During 2012, the Company recorded a net gain of \$4.1 million upon receipt of payment related to the October 2012 settlement of a lawsuit against Xiamen Lota International Co., Ltd. The Company also settled the business interruption portion of its insurance claim related to the July 2009 explosion at the copper tube facility in Fulton, Mississippi and recorded a \$1.5 million gain. The gain was offset by \$3.4 million in severance charges.

During 2011, the Company recorded a gain of \$10.5 million upon receipt of payment related to the December 10, 2010, settlement of a lawsuit against Peter D. Berkman, Jeffrey A. Berkman, and Homewerks Worldwide LLC.

Interest expense decreased to \$6.9 million in 2012 from \$11.6 million in 2011. This decrease was related to the redemption of the 6% Subordinated Debentures during the second quarter of 2012 and decreased borrowings by Mueller Xingrong. Other income, net was \$0.5 million in 2012 compared with \$1.9 million for 2011. This decrease was primarily due to a \$0.8 million increase in the provision for environmental remediation and a loss on the disposal of certain long-lived assets.

Income tax expense was \$36.7 million, for an effective rate of 30 percent. This rate was lower than what would be computed using the U.S. statutory federal rate primarily due to the U.S. production activities deduction benefit of \$3.0 million, effect of lower foreign tax rates and other foreign adjustments of \$2.6 million, and reductions in tax contingencies of \$3.2 million. These decreases were partially offset by state tax expense, net of federal benefit, of \$3.2 million.

The Company's employment was approximately 3,775 at the end of 2012 compared with 3,750 at the end of 2011.

### ***Plumbing & Refrigeration Segment***

Net sales by the Plumbing & Refrigeration segment decreased seven percent to \$1.24 billion in 2012 from \$1.33 billion in 2011. Of the \$92.2 million decrease in net sales, approximately \$86.2 million was attributable to lower net selling prices and approximately \$12.2 million was due to lower volume in Europe. Cost of goods sold decreased from \$1.14 billion in 2011 to \$1.06 billion in 2012, which was also due to decreasing raw material prices, primarily copper, and lower sales volume. In addition, the Company recognized a deferred gain from LIFO liquidation that resulted in a reduction of approximately \$8.0 million to cost of sales for the segment. Depreciation and amortization decreased from \$20.9 million in 2011 to \$16.5 million in 2012 due to reduced depreciation expense resulting from certain assets becoming fully depreciated. Selling, general, and administrative expenses decreased from \$84.8 million in 2011 to \$75.4 million in 2012. The decrease is primarily due to lower employment costs, including incentive compensation, of \$5.7 million. The Company also settled the business interruption portion of its insurance claim related to the July 2009 explosion at the copper tube facility in Fulton, Mississippi and recorded a \$1.5 million gain. Operating income for the segment increased from \$84.8 million in 2011 to \$87.0 million in 2012.

During 2011, a portion of the Wynne, Arkansas manufacturing operation was extensively damaged by fire, which impacted a portion of the segment's copper tube, line sets, and DWV plastic fittings operations. Direct, incremental property damage and cleanup costs have been deferred as a receivable, while the impact of lost sales and other extra expenses associated with business interruption have been recognized as incurred in the Consolidated Statement of Income for 2011 and 2012. These amounts are expected to be covered by business interruption insurance; however, the expected gain will not be recognized until final settlement of the claim.

### ***OEM Segment***

The OEM segment's net sales were \$974.6 million in 2012 compared with \$1.12 billion in 2011. Of the \$145.2 million decrease in net sales, approximately \$66.0 million was due to lower net selling prices and approximately \$66.1 million was due to lower unit volume in the segment's core product lines of brass rod, forgings, and commercial tube. Cost of goods sold decreased to \$866.4 million in 2012 from \$1.01 billion in 2011, which was also due to the decrease in the average costs of raw materials and lower sales volume. Depreciation and amortization remained relatively consistent. Selling, general, and administrative expenses were \$27.7 million in 2012 compared with \$24.8 million in 2011. The increase is due primarily to losses on fixed asset impairments of \$1.5 million, increased bad debt expense of \$0.8 million, and increased selling and distribution expenses of \$0.5 million. Operating income decreased from \$72.7 million in 2011 to \$67.1 million in 2012, due primarily to lower unit volume and net spreads and increased per-unit conversion costs in core products.

## **2011 Performance Compared with 2010**

Consolidated net sales in 2011 were \$2.42 billion, a 17 percent increase compared with net sales of \$2.06 billion in 2010. The increase was primarily attributable to the increase in base metal prices, primarily copper, and slightly higher unit volumes in many of the Company's core products. The Comex average copper price in 2011 was approximately \$4.01 per pound, or 17 percent higher than the 2010 average of \$3.43 per pound.

Cost of goods sold was \$2.12 billion in 2011 compared with \$1.77 billion in 2010. The year-over-year increase was due primarily to the increase in the price of copper, the Company's principal raw material, and slightly higher sales volume in core product lines.

Depreciation and amortization decreased from \$40.4 million in 2010 to \$36.9 million in 2011 due to certain assets becoming fully depreciated. Selling, general, and administrative expenses increased to \$136.0 million in 2011; this \$4.8 million increase was primarily due to increased employment costs, including incentive compensation of \$9.9 million. These increases were partially offset by reduced bad debt expense of \$5.0 million.

During 2011, the Company recorded a gain of \$10.5 million upon receipt of payment related to the December 10, 2010, settlement of a lawsuit against Peter D. Berkman, Jeffrey A. Berkman, and Homewerks Worldwide LLC.

During 2010, the Company recognized insurance settlements of \$22.7 million related to the reimbursement for losses claimed as a result of a fire at the U.K. copper tube mill in November 2008, and an explosion at the Fulton, Mississippi copper tube mill in July 2009.

Interest expense remained consistent with the prior year at \$11.6 million. Other income (expense), net was \$1.9 million income in 2011 compared with expense of \$2.7 million for 2010. This fluctuation was primarily due to an environmental provision of \$2.5 million in 2010.

Income tax expense was \$43.1 million, for an effective rate of 33 percent. This rate was lower than what would be computed using the U.S. statutory federal rate primarily due to the U.S. production activities deduction benefit of \$3.9 million and reductions in tax contingencies of \$1.9 million. These decreases were partially offset by state tax expense, net of federal benefit, of \$4.3 million.

The Company's employment was approximately 3,750 at the end of 2011 compared with 3,600 at the end of 2010.

### ***Plumbing & Refrigeration Segment***

Net sales by the Plumbing & Refrigeration segment increased 19 percent to \$1.33 billion in 2011 from \$1.12 billion in 2010. The increase in net sales was due to higher selling prices resulting from higher average prices of raw materials and slightly higher unit volumes. Of the \$214.8 million increase in net sales, approximately \$34.1 million was attributable to higher unit volume and approximately \$148.9 million was due to higher net selling prices in the segment's core product lines consisting primarily of copper tube, line sets, and fittings. Cost of goods sold increased from \$951.2 million in 2010 to \$1.14 billion in 2011, which was also due to higher sales volume and increasing raw material prices, primarily copper. Depreciation and amortization decreased from \$24.9 million in 2010 to \$20.9 million in 2011 due to reduced depreciation expense resulting from certain assets becoming fully depreciated in 2010. Selling, general, and administrative expenses increased from \$78.6 million in 2010 to \$84.8 million in 2011. The increase is primarily due to increased sales and distribution expenses resulting from higher sales volume and increased employment costs, including incentive compensation of \$5.1 million. Operating income for the segment increased from \$83.7 million in 2010 to \$84.8 million in 2011. This was due to higher sales volume and increased spreads in the segment's core products especially in copper tube and fittings. This increase was offset by \$22.7 million of insurance settlement gains recognized in 2010, primarily resulting from the fire at the U.K. tube operation.

## ***OEM Segment***

The OEM segment's net sales were \$1.12 billion in 2011 compared with \$958.9 million in 2010. The increase was due primarily to higher net selling prices resulting from higher average costs of raw materials, partially offset by slightly lower unit volume. Of the \$161.1 million increase in net sales, approximately \$121.0 million was due to higher net selling prices in the segment's core product lines of brass rod, forgings, and commercial tube. Cost of goods sold increased to \$1.01 billion in 2011 from \$837.6 million in 2010, which was also due to the increase in the average costs of raw materials. Depreciation and amortization remained relatively consistent. Selling, general, and administrative expenses were \$24.8 million in 2011 compared with \$26.8 million in 2010. The decrease is due primarily to decreased bad debt expense of \$4.5 million, partially offset by increased employment costs of \$2.3 million. Operating income decreased from \$80.1 million in 2010 to \$72.7 million in 2011, due primarily to slightly lower unit volume and net spreads and increased per-unit conversion costs in core products, partially offset by decreased bad debt expense.

## **LIQUIDITY AND CAPITAL RESOURCES**

Cash and cash equivalents decreased to \$198.9 million at December 29, 2012, from \$514.2 million at December 31, 2011, a net decrease of \$315.3 million. Major components of the 2012 change included \$108.3 million of cash provided by operating activities, \$16.4 million of cash used in investing activities and \$408.6 million of cash used in financing activities.

Of the cash and cash equivalents held at December 29, 2012, \$95.2 million was held by foreign subsidiaries. The Company expects to repatriate \$1.4 million of this cash and has accrued deferred tax on these earnings. All other earnings of the foreign subsidiaries are considered to be permanently reinvested, and it is not practicable to compute the potential deferred tax liability associated with these undistributed foreign earnings. The Company believes that cash held domestically, funds available through the credit agreement, and cash generated from U.S. based operations will be adequate to meet the future needs of the U.S. based operations.

The primary components of cash provided by operating activities were consolidated net income of \$83.7 million, insurance proceeds of \$14.3 million resulting from an advance on the Wynne, Arkansas fire claim, changes in working capital, and non-cash adjustments primarily consisting of depreciation and amortization of \$31.9 million. Major changes in working capital included a \$23.7 million increase in trade accounts receivable and an \$8.4 million increase in current liabilities. Changes in the components of working capital are heavily driven by the changes in raw material prices, primarily copper.

The Company spent approximately \$1.3 million during 2012 for environmental matters. As of December 29, 2012, the Company expects to spend \$1.9 million in 2013, \$0.9 million in 2014, \$0.8 million in 2015, \$0.9 million in 2016, \$0.9 million in 2017, and \$9.7 million thereafter for ongoing projects. The timing of a potential payment for a \$9.5 million settlement offer related to the Southeast Kansas Sites has not yet been determined.

The major components of net cash used in investing activities during 2012 included \$56.8 million used for capital expenditures and \$11.6 million used for the acquisition of Westermeyer Industries, Inc. These were partially offset by insurance proceeds of \$42.3 million related to the 2011 fire at our Wynne, Arkansas facility and withdrawals of \$9.2 million from restricted cash balances.

Net cash used in financing activities totaled \$408.6 million, which consisted primarily of \$427.4 million used to repurchase common stock, \$148.9 million used to redeem the 6% Subordinated Debentures, \$14.4 million used for the repayment of debt by Mueller-Xingrong, and \$14.9 million for payment of regular quarterly dividends to stockholders of the Company. These were partially offset by the issuance of \$200.0 million of debt under the credit agreement (the Agreement) for the repurchase of common stock.



On December 11, 2012, the Company amended its credit agreement entered into on March 7, 2011 to adjust the pricing applicable to the \$350.0 million revolving credit facility (the Revolving Credit Facility) and extend the maturity to December 11, 2017. The amendment also provided for a \$200.0 million Term Loan Facility which has the same pricing and maturity as the Revolving Credit Facility. At year-end, the Company had no borrowings against the Revolving Credit Facility and \$200.0 million borrowed against the Term Loan Facility. Approximately \$10.9 million in letters of credit were backed by the Revolving Credit Facility at the end of 2012. As of December 29, 2012, the Company's total debt was \$234.9 million or 30.4 percent of its total capitalization.

Covenants contained in the Company's financing obligations require, among other things, the maintenance of minimum levels of tangible net worth and the satisfaction of certain minimum financial ratios. As of December 29, 2012, the Company was in compliance with all of its debt covenants.

Contractual cash obligations of the Company as of December 29, 2012 included the following:

(In millions)	Total	Payments Due by Year			
		2013	2014-2015	2016-2017	Thereafter
Debt	\$ 234.9	\$ 27.6	\$ 2.1	\$ 202.0	\$ 3.2
Consulting agreement (1)	5.3	1.3	2.7	1.3	—
Operating leases	29.3	7.3	11.0	7.4	3.6
Heavy machinery and equipment commitments	10.7	8.6	2.1	—	—
Purchase commitments (2)	554.2	554.2	—	—	—
Total contractual cash obligations	\$ 834.4	\$ 599.0	\$ 17.9	\$ 210.7	\$ 6.8

(1) See Note 10 to Consolidated Financial Statements.

(2) The Company has contractual supply commitments for raw materials totaling \$554.2 million at year-end prices; these contracts contain variable pricing based on Comex and the London Metals Exchange. These commitments are for purchases of raw materials that are expected to be consumed in the ordinary course of business.

The above obligations will be satisfied with existing cash, the credit agreement, and cash generated by operations. Cash used to fund pension and other postretirement benefit obligations was \$4.3 million in 2012 and \$4.0 million in 2011. The Company has no off-balance sheet financing arrangements except for the operating leases identified above.

Fluctuations in the cost of copper and other raw materials affect the Company's liquidity. Changes in material costs directly impact components of working capital, primarily inventories and accounts receivable. The price of copper has fluctuated significantly and averaged approximately \$3.61 in 2012, \$4.01 in 2011, and \$3.43 in 2010.

The Company's Board of Directors declared a regular quarterly dividend of 12.5 cents in the fourth quarter of 2012 and 10 cents per share on its common stock for each of the first three quarters of 2012 and each quarter of 2011. Payment of dividends in the future is dependent upon the Company's financial condition, cash flows, capital requirements, earnings, and other factors.

Management believes that cash provided by operations, the credit agreement, and currently available cash of \$198.9 million will be adequate to meet the Company's normal future capital expenditure and operational needs. The Company's current ratio (current assets divided by current liabilities) was 2.9 to 1 as of December 29, 2012.

The Company's Board of Directors has extended, until October 2013, its authorization to repurchase up to ten million shares of the Company's common stock through open market transactions or through privately negotiated transactions. The Company has no obligation to repurchase any shares and may cancel, suspend, or extend the time period for the repurchase of shares at any time. Any repurchases will be funded primarily through existing cash and cash from operations. The Company may hold any shares repurchased in treasury or use a portion of the repurchased shares for stock-based compensation plans, as well as for other corporate purposes. From its initial authorization in 1999 through December 29, 2012, the Company had repurchased approximately 2.4 million shares under this authorization. The Company's repurchase transaction with Leucadia National Corporation in September 2012 was completed outside of this authorization.

## **MARKET RISKS**

The Company is exposed to market risks from changes in raw material and energy costs, interest rates, and foreign currency exchange rates. To reduce such risks, the Company may periodically use financial instruments. Hedging transactions are authorized and executed pursuant to policies and procedures. Further, the Company does not buy or sell financial instruments for trading purposes. A discussion of the Company's accounting for derivative instruments and hedging activities is included in "Note 1 - Summary of Significant Accounting Policies" in the Notes to Consolidated Financial Statements.

### **Cost and Availability of Raw Materials and Energy**

Raw materials, primarily copper and brass, represent the largest component of the Company's variable costs of production. The cost of these materials is subject to global market fluctuations caused by factors beyond the Company's control. Significant increases in the cost of metal, to the extent not reflected in prices for the Company's finished products, or the lack of availability could materially and adversely affect the Company's business, results of operations and financial condition.

The Company occasionally enters into forward fixed-price arrangements with certain customers. The Company may utilize futures contracts to hedge risks associated with forward fixed-price arrangements. The Company may also utilize futures contracts to manage price risk associated with inventory. Depending on the nature of the hedge, changes in the fair value of the futures contracts will either be offset against the change in fair value of the inventory through earnings or recognized as a component of accumulated other comprehensive income (OCI) and reflected in earnings upon the sale of inventory. Periodic value fluctuations of the contracts generally offset the value fluctuations of the underlying fixed-price transactions or inventory. At year-end, the Company held open futures contracts to purchase approximately \$21.5 million of copper over the next twelve months related to fixed-price sales orders and to sell approximately \$65.9 million of copper over the next five months related to copper inventory.

The Company may enter into futures contracts or forward fixed-price arrangements with certain vendors to manage price risk associated with natural gas purchases. The effective portion of gains and losses with respect to futures positions are deferred in equity as a component of OCI and reflected in earnings upon consumption of natural gas. Periodic value fluctuations of the futures contracts generally offset the value fluctuations of the underlying natural gas prices. There were no open futures contracts to purchase natural gas at December 29, 2012.

### **Interest Rates**

The Company had variable-rate debt outstanding of \$234.9 million at December 29, 2012 and \$49.5 million at December 31, 2011. At these borrowing levels, a hypothetical 10 percent increase in interest rates would have had an insignificant unfavorable impact on the Company's pre-tax earnings and cash flows. The primary interest rate exposures on floating-rate debt are based on LIBOR and the base-lending rate published by the People's Bank of China.

There was no fixed-rate debt outstanding as of December 29, 2012, and \$148.2 million at December 31, 2011.

## **Foreign Currency Exchange Rates**

Foreign currency exposures arising from transactions include firm commitments and anticipated transactions denominated in a currency other than an entity's functional currency. The Company and its subsidiaries generally enter into transactions denominated in their respective functional currencies. The Company may utilize certain futures contracts or forward contracts with financial institutions to hedge foreign currency transactional exposures. Gains and losses with respect to these positions are deferred in equity as a component of OCI and reflected in earnings upon collection of receivables. At December 29, 2012, the Company had open forward contracts with a financial institution to sell approximately 1.6 million Canadian dollars and 0.9 million euros through March 2013. It also held open futures contracts to buy approximately 8.4 million euros over the next 17 months.

The Company's primary foreign currency exposure arises from foreign-denominated revenues and profits and their translation into U.S. dollars. The primary currencies to which the Company is exposed include the Canadian dollar, the British pound sterling, the euro, the Mexican peso, and the Chinese renminbi. The Company generally views as long-term its investments in foreign subsidiaries with a functional currency other than the U.S. dollar. As a result, the Company generally does not hedge these net investments. The net investment in foreign subsidiaries translated into U.S. dollars using the year-end exchange rates was \$168.0 million at December 29, 2012 and \$180.8 million at December 31, 2011. The potential loss in value of the Company's net investment in foreign subsidiaries resulting from a hypothetical 10 percent adverse change in quoted foreign currency exchange rates at December 29, 2012 and December 31, 2011 amounted to \$16.8 million and \$18.1 million, respectively. This change would be reflected in the foreign currency translation component of OCI in the equity section of the Company's Consolidated Balance Sheets, until the foreign subsidiaries are sold or otherwise disposed.

During 2012, exchange rates with respect to many foreign currencies fluctuated significantly with respect to the U.S. dollar. The Company has significant investments in foreign operations whose functional currency is the British pound sterling and the Mexican peso. During 2012, the value of the Mexican peso and the British pound increased approximately 7.6 percent and 3.9 percent relative to the U.S. dollar, respectively. The resulting foreign currency translation gains were recorded as a component of OCI.

## **CRITICAL ACCOUNTING POLICIES AND ESTIMATES**

The Company's Consolidated Financial Statements are prepared in accordance with accounting principles generally accepted in the United States. Application of these principles requires the Company to make estimates, assumptions, and judgments that affect the amounts reported in the Consolidated Financial Statements. Management believes the most complex and sensitive judgments, because of their significance to the Consolidated Financial Statements, result primarily from the need to make estimates about the effects of matters which are inherently uncertain. The accounting policies and estimates that are most critical to aid in understanding and evaluating the results of operations and financial position of the Company include the following:

### **Inventory Valuation**

The Company's inventories are valued at the lower-of-cost-or-market. The material component of its U.S. copper tube and copper fittings inventories is valued on a last-in, first-out (LIFO) basis. Other manufactured inventories, including the non-material components of U.S. copper tube and copper fittings, are valued on a first-in, first-out (FIFO) basis. Certain inventories purchased for resale are valued on an average cost basis. Elements of cost in finished goods inventory in addition to the cost of material include depreciation, amortization, utilities, consumable production supplies, maintenance, production wages, and transportation costs.

The market price of copper cathode and scrap are subject to volatility. During periods when open market prices decline below net book value, the Company may need to provide an allowance to reduce the carrying value of its inventory. In addition, certain items in inventory may be considered obsolete and, as such, the Company may establish an allowance to reduce the carrying value of those items to their net realizable value. Changes in these estimates related to the value of inventory, if any, may result in a materially adverse impact on the Company's reported financial position or results of operations. The Company recognizes the impact of any changes in estimates, assumptions, and judgments in income in the period in which it is determined.

## **Goodwill**

Goodwill represents cost in excess of fair values assigned to the underlying net assets of acquired businesses. Goodwill is subject to impairment testing, which is performed by the Company as of the first day of the fourth quarter of each fiscal year, unless circumstances dictate more frequent testing. For testing purposes, the Company uses components of its operating segments; components of a segment having similar economic characteristics are combined. The annual impairment test is a two-step process. The first step is the estimation of fair value of reporting units that have goodwill. If this estimate indicates that impairment potentially exists, the second step is performed. Step two, used to measure the amount of goodwill impairment loss, compares the implied fair value of goodwill to the carrying value. In step two the Company is required to allocate the fair value of each reporting unit, as determined in step one, to the fair value of the reporting unit's assets and liabilities, including unrecognized intangible assets and corporate allocation where applicable, in a hypothetical purchase price allocation as if the reporting unit had been purchased on that date. If the implied fair value of goodwill is less than the carrying value, an impairment charge is recorded. Inputs to that model include various estimates, including cash flow projections and assumptions. Some of the inputs are highly subjective and are affected by changes in business conditions and other factors. Changes in any of the inputs could have an effect on future tests and result in material impairment charges.

## **Income Taxes**

Deferred income tax assets and liabilities are recognized when differences arise between the treatment of certain items for financial statement and tax purposes. Realization of certain components of deferred tax assets is dependent upon the occurrence of future events. The Company records valuation allowances to reduce its deferred tax assets to the amount it believes is more likely than not to be realized. These valuation allowances can be impacted by changes in tax laws, changes to statutory tax rates, and future taxable income levels and are based on the Company's judgment, estimates, and assumptions. In the event the Company were to determine that it would not be able to realize all or a portion of the net deferred tax assets in the future, the Company would increase the valuation allowance through a charge to income tax expense in the period that such determination is made. Conversely, if the Company were to determine that it would be able to realize its deferred tax assets in the future, in excess of the net carrying amounts, the Company would decrease the recorded valuation allowance through a decrease to income tax expense in the period that such determination is made.

The Company provides for uncertain tax positions and the related interest and penalties, if any, based upon management's assessment of whether a tax benefit is more likely than not to be sustained upon examination by tax authorities. Tax benefits for uncertain tax positions that are recognized in the financial statements are measured as the largest amount of benefit, determined on a cumulative probability basis, that is more likely than not to be realized upon ultimate settlement. To the extent the Company prevails in matters for which a liability for an uncertain tax position is established or is required to pay amounts in excess of the liability, the Company's effective tax rate in a given financial statement period may be affected.

## **Environmental Reserves**

The Company recognizes an environmental liability when it is probable the liability exists and the amount is reasonably estimable. The Company estimates the duration and extent of its remediation obligations based upon reports of outside consultants; internal analyses of cleanup costs, and ongoing monitoring costs; communications with regulatory agencies; and changes in environmental law. If the Company were to determine that its estimates of the duration or extent of its environmental obligations were no longer accurate, the Company would adjust its environmental liabilities accordingly in the period that such determination is made. Estimated future expenditures for environmental remediation are not discounted to their present value. Accrued environmental liabilities are not reduced by potential insurance reimbursements.

Environmental expenses that relate to ongoing operations are included as a component of cost of goods sold. Environmental expenses related to non-operating properties are included in other income (expense), net in the Consolidated Statements of Income.

### **Allowance for Doubtful Accounts**

The Company provides an allowance for receivables that may not be fully collected. In circumstances where the Company is aware of a customer's inability to meet its financial obligations (e.g., bankruptcy filings or substantial downgrading of credit ratings), it records an allowance for doubtful accounts against amounts due to reduce the net recognized receivable to the amount it believes most likely will be collected. For all other customers, the Company recognizes an allowance for doubtful accounts based on its historical collection experience. If circumstances change (e.g., greater than expected defaults or an unexpected material change in a major customer's ability to meet its financial obligations), the Company's estimate of the recoverability of amounts due could be changed by a material amount.

### **CAUTIONARY STATEMENT REGARDING FORWARD-LOOKING INFORMATION**

This Annual Report contains various forward-looking statements and includes assumptions concerning the Company's operations, future results, and prospects. These forward-looking statements are based on current expectations and are subject to risk and uncertainties. In connection with the "safe harbor" provisions of the Private Securities Litigation Reform Act of 1995, the Company provides the following cautionary statement identifying important economic, political, and technological factors, among others, which could cause actual results or events to differ materially from those set forth in or implied by the forward-looking statements and related assumptions.

In addition to those factors discussed under "Risk Factors" in this Annual Report on Form 10-K, such factors include: (i) the current and projected future business environment, including interest rates and capital and consumer spending; (ii) the domestic housing and commercial construction industry environment; (iii) the extent and duration of the recovery from the 2008 through 2010 economic decline; (iv) availability and price fluctuations in commodities (including copper, natural gas, and other raw materials, including crude oil that indirectly affects plastic resins); (v) competitive factors and competitor responses to the Company's initiatives; (vi) stability of government laws and regulations, including taxes; (vii) availability of financing; and (viii) continuation of the environment to make acquisitions, domestic and foreign, including regulatory requirements and market values of candidates.

**MUELLER INDUSTRIES, INC.**  
**CONSOLIDATED STATEMENTS OF INCOME**

*Years Ended December 29, 2012, December 31, 2011, and December 25, 2010*

<i>(In thousands, except per share data)</i>	2012	2011	2010
Net sales	\$ 2,189,938	\$ 2,417,797	\$ 2,059,797
Cost of goods sold	1,904,463	2,115,677	1,774,811
Depreciation and amortization	31,495	36,865	40,364
Selling, general, and administrative expense	129,456	135,953	131,211
Litigation settlements	(4,050)	(10,500)	—
Insurance settlements	(1,500)	—	(22,736)
Severance	3,369	—	—
Operating income	126,705	139,802	136,147
Interest expense	(6,890)	(11,553)	(11,647)
Other income (expense), net	539	1,912	(2,650)
Income before income taxes	120,354	130,161	121,850
Income tax expense	(36,681)	(43,075)	(34,315)
Consolidated net income	83,673	87,086	87,535
Less net income attributable to noncontrolling interest	(1,278)	(765)	(1,364)
Net income attributable to Mueller Industries, Inc.	\$ 82,395	\$ 86,321	\$ 86,171
Weighted average shares for basic earnings per share	35,332	37,835	37,672
Effect of dilutive stock-based awards	414	361	97
Adjusted weighted average shares for diluted earnings per share	35,746	38,196	37,769
Basic earnings per share	\$ 2.33	\$ 2.28	\$ 2.29
Diluted earnings per share	\$ 2.31	\$ 2.26	\$ 2.28
Dividends per share	\$ 0.425	\$ 0.40	\$ 0.40

*See accompanying notes to consolidated financial statements.*

**MUELLER INDUSTRIES, INC.**  
**CONSOLIDATED STATEMENTS OF COMPREHENSIVE INCOME**  
*Years Ended December 29, 2012, December 31, 2011, and December 25, 2010*

<i>(In thousands)</i>	2012	2011	2010
Consolidated net income	\$ 83,673	\$ 87,086	\$ 87,535
Other comprehensive income (loss), net of tax:			
Foreign currency translation	8,070	232	(215)
Net change with respect to derivative instruments and hedging activities, net <sup>1</sup>	255	(988)	376
Net actuarial loss on pension and postretirement obligations, net <sup>2</sup>	(847)	(10,378)	(402)
Other, net	14	(81)	61
Total other comprehensive income (loss)	7,492	(11,215)	(180)
Comprehensive income	91,165	75,871	87,355
Less comprehensive income attributable to noncontrolling interest	(1,984)	(1,913)	(2,127)
Comprehensive income attributable to Mueller Industries, Inc.	\$ 89,181	\$ 73,958	\$ 85,228

*See accompanying notes to consolidated financial statements.*

<sup>1</sup> Net of taxes of \$(162) in 2012, \$559 in 2011, and \$(191) in 2010

<sup>2</sup> Net of taxes of \$94 in 2012, \$4,786 in 2011, and \$1,631 in 2010



**MUELLER INDUSTRIES, INC.**  
**CONSOLIDATED BALANCE SHEETS**  
*As of December 29, 2012 and December 31, 2011*

*(In thousands, except share data)*

	2012	2011
<b>Assets</b>		
Current assets:		
Cash and cash equivalents	\$ 198,934	\$ 514,162
Accounts receivable, less allowance for doubtful accounts of \$1,644 in 2012 and \$1,564 in 2011	271,093	250,027
Inventories	229,434	219,193
Current deferred income taxes	26,438	21,104
Other current assets	21,295	22,213
Total current assets	747,194	1,026,699
Property, plant, and equipment, net	233,263	203,744
Goodwill, net	104,579	102,250
Other assets	19,119	14,911
Total Assets	\$ 1,104,155	\$ 1,347,604
<b>Liabilities</b>		
Current liabilities:		
Current portion of debt	\$ 27,570	\$ 41,265
Accounts payable	87,574	65,545
Accrued wages and other employee costs	34,378	39,319
Other current liabilities	109,174	67,115
Total current liabilities	258,696	213,244
Long-term debt, less current portion	207,300	156,476
Pension liabilities	35,187	32,839
Postretirement benefits other than pensions	19,832	21,405
Environmental reserves	22,597	22,892
Deferred income taxes	20,910	14,856
Other noncurrent liabilities	1,667	1,130
Total liabilities	566,189	462,842
<b>Equity</b>		
Mueller Industries, Inc. stockholders' equity:		
Preferred stock - \$1.00 par value; shares authorized 5,000,000; none outstanding	—	—
Common stock - \$.01 par value; shares authorized 100,000,000; issued 40,091,502; outstanding 28,099,635 in 2012 and 38,236,568 in 2011	401	401
Additional paid-in capital	267,826	266,936
Retained earnings	749,777	682,380
Accumulated other comprehensive loss	(42,623)	(49,409)
Treasury common stock, at cost	(468,473)	(44,620)
Total Mueller Industries, Inc. stockholders' equity	506,908	855,688
Noncontrolling interest	31,058	29,074
Total equity	537,966	884,762
Commitments and contingencies	—	—
Total Liabilities and Equity	\$ 1,104,155	\$ 1,347,604

*See accompanying notes to consolidated financial statements.*

**MUELLER INDUSTRIES, INC.**  
**CONSOLIDATED STATEMENTS OF CASH FLOWS**  
*Years Ended December 29, 2012, December 31, 2011, and December 25, 2010*

<i>(In thousands)</i>	2012	2011	2010
<b>Operating activities:</b>			
Consolidated net income	\$ 83,673	\$ 87,086	\$ 87,535
Reconciliation of net income to net cash provided by operating activities:			
Depreciation	30,326	35,966	39,656
Amortization of intangibles	1,169	899	708
Amortization of debt issuance costs	438	397	288
Stock-based compensation expense	6,136	3,482	2,877
Insurance settlements	(1,500)	—	(22,736)
Insurance proceeds – noncapital related	14,250	10,000	5,561
Income tax benefit from exercise of stock options	(2,528)	(853)	(145)
Deferred income taxes	(1,284)	(4,190)	(6,627)
Doubtful accounts receivable	837	(229)	4,763
Loss (gain) on disposal of properties	1,411	(202)	756
Changes in assets and liabilities, net of businesses acquired:			
Receivables	(23,690)	28,716	(46,494)
Inventories	(4,834)	(15,678)	(17,248)
Other assets	(14,985)	460	2,974
Current liabilities	8,368	7,966	4,913
Other liabilities	9,345	(1,593)	(623)
Other, net	1,165	1,522	199
Net cash provided by operating activities	108,297	153,749	56,357
<b>Investing activities:</b>			
Capital expenditures	(56,825)	(18,751)	(18,678)
Acquisition of businesses	(11,561)	(6,882)	(2,021)
Proceeds from sales of properties	517	1,984	71
Net withdrawals from (deposits into) restricted cash balances	9,243	(3,055)	(156)
Insurance proceeds	42,250	—	18,798
Net cash used in investing activities	(16,376)	(26,704)	(1,986)
<b>Financing activities:</b>			
Repayments of long-term debt	(149,176)	(750)	—
Repurchase of common stock	(427,446)	—	—
Dividends paid to stockholders of Mueller Industries, Inc.	(14,891)	(15,146)	(15,074)
Dividends paid to noncontrolling interests	—	—	(741)
(Repayment) issuance of debt by joint venture, net	(14,429)	6,162	6,848
Issuance of long-term debt	200,000	—	—
Net cash (used) received to settle stock-based awards	(4,181)	3,879	2,428
Income tax benefit from exercise of stock options	2,528	853	145
Debt issuance costs	(1,053)	(1,942)	—
Net cash used in financing activities	(408,648)	(6,944)	(6,394)
Effect of exchange rate changes on cash	1,499	(78)	161
(Decrease) increase in cash and cash equivalents	(315,228)	120,023	48,138
Cash and cash equivalents at the beginning of the year	514,162	394,139	346,001
Cash and cash equivalents at the end of the year	\$ 198,934	\$ 514,162	\$ 394,139

*For supplemental disclosures of cash flow information, see Notes 1, 5, 7, and 14.*

*See accompanying notes to consolidated financial statements.*

**MUELLER INDUSTRIES, INC.**  
**CONSOLIDATED STATEMENTS OF CHANGES IN EQUITY**  
*Years Ended December 29, 2012, December 31, 2011, and December 25, 2010*

<i>(In thousands)</i>	2012		2011		2010	
	Shares	Amount	Shares	Amount	Shares	Amount
<b>Common stock:</b>						
Balance at beginning of year	40,092	\$ 401	40,092	\$ 401	40,092	\$ 401
Balance at end of year	40,092	\$ 401	40,092	\$ 401	40,092	\$ 401
<b>Additional paid-in capital:</b>						
Balance at beginning of year		\$ 266,936		\$ 263,233		\$ 262,166
Issuance of shares under incentive stock option plans		(4,303)		2,340		(394)
Stock-based compensation expense		6,136		3,482		2,877
Income tax benefit from exercise of stock options		2,528		853		145
Issuance of restricted stock		(3,471)		(2,972)		(1,561)
Balance at end of year		\$ 267,826		\$ 266,936		\$ 263,233
<b>Retained earnings:</b>						
Balance at beginning of year		\$ 682,380		\$ 611,279		\$ 540,218
Net income attributable to Mueller Industries, Inc.		82,395		86,321		86,171
Dividends paid or payable to stockholders of Mueller Industries, Inc.		(14,998)		(15,220)		(15,110)
Balance at end of year		\$ 749,777		\$ 682,380		\$ 611,279
<b>Accumulated other comprehensive (loss) income:</b>						
Balance at beginning of year		\$ (49,409)		\$ (37,046)		\$ (36,104)
Total other comprehensive income (loss) attributable to Mueller Industries, Inc.		6,786		(12,363)		(942)
Balance at end of year		\$ (42,623)		\$ (49,409)		\$ (37,046)

**MUELLER INDUSTRIES, INC.**  
**CONSOLIDATED STATEMENTS OF CHANGES IN EQUITY**  
**(continued)**

*Years Ended December 29, 2012, December 31, 2011, and December 25, 2010*

<i>(In thousands)</i>	2012		2011		2010	
	Shares	Amount	Shares	Amount	Shares	Amount
<b>Treasury stock:</b>						
Balance at beginning of year	1,855	\$ (44,620)	2,237	\$ (49,131)	2,442	\$ (53,514)
Issuance of shares under incentive stock option plans	(576)	20,881	(464)	10,637	(149)	3,240
Repurchase of common stock	10,855	(448,205)	214	(9,098)	15	(418)
Issuance of restricted stock	(142)	3,471	(132)	2,972	(71)	1,561
Balance at end of year	<u>11,992</u>	<u>\$ (468,473)</u>	<u>1,855</u>	<u>\$ (44,620)</u>	<u>2,237</u>	<u>\$ (49,131)</u>
<b>Noncontrolling interest:</b>						
Balance at beginning of year		\$ 29,074		\$ 27,161		\$ 25,775
Net income attributable to noncontrolling interest		1,278		765		1,364
Dividends paid to noncontrolling interests		—		—		(741)
Foreign currency translation		706		1,148		763
Balance at end of year		<u>\$ 31,058</u>		<u>\$ 29,074</u>		<u>\$ 27,161</u>

*See accompanying notes to consolidated financial statements.*

## ***Notes to Consolidated Financial Statements***

### **Note 1 – Summary of Significant Accounting Policies**

#### **Nature of Operations**

The principal business of Mueller Industries, Inc. is the manufacture and sale of copper tube and fittings; line sets; brass and copper alloy rod, bar, and shapes; aluminum and brass forgings; aluminum and copper impact extrusions; plastic pipe, fittings and valves; refrigeration valves and fittings; fabricated tubular products; and steel nipples. The Company also resells imported brass and plastic plumbing valves, malleable iron fittings, faucets, and plumbing specialty products. The Company markets its products to the HVAC, plumbing, refrigeration, hardware, and other industries. Mueller's operations are located throughout the United States and in Canada, Mexico, Great Britain, and China.

#### **Principles of Consolidation**

The Consolidated Financial Statements include the accounts of Mueller Industries, Inc. and its majority owned subsidiaries. All significant intercompany accounts and transactions have been eliminated in consolidation. The noncontrolling interest represents a separate private ownership of 49.5 percent of Mueller-Xingrong. The years ended December 29, 2012 and December 25, 2010 contained 52 weeks, while the year ended December 31, 2011 contained 53 weeks.

#### **Revenue Recognition**

Revenue is recognized when title and risk of loss pass to the customer, provided collection is determined to be probable and no significant obligations remain for the Company. Estimates for future rebates on certain product lines and product returns are recognized in the period which the revenue is recorded. The cost of shipping product to customers is expensed as incurred as a component of cost of goods sold.

#### **Cash Equivalents**

Temporary investments with original maturities of three months or less are considered to be cash equivalents. These investments are stated at cost. At December 29, 2012 and December 31, 2011, temporary investments consisted of money market mutual funds, commercial paper, bank repurchase agreements, and U.S. and foreign government securities totaling \$86.0 million and \$322.1 million, respectively. Included in other current assets is restricted cash of \$3.7 million and \$13.0 million at December 29, 2012 and December 31, 2011, respectively. These amounts represent required deposits into brokerage accounts that facilitate the Company's hedging activities and deposits that secure certain short-term notes issued under Mueller-Xingrong's credit facility.

#### **Allowance for Doubtful Accounts**

The Company provides an allowance for receivables that may not be fully collected. In circumstances where the Company is aware of a customer's inability to meet its financial obligations (e.g., bankruptcy filings or substantial downgrading of credit ratings), it records an allowance for doubtful accounts against amounts due to reduce the net recognized receivable to the amount it believes most likely will be collected. For all other customers, the Company recognizes an allowance for doubtful accounts based on its historical collection experience. If circumstances change (e.g., greater than expected defaults or an unexpected material change in a major customer's ability to meet its financial obligations), the Company could change its estimate of the recoverability of amounts due by a material amount.

#### **Inventories**

The Company's inventories are valued at the lower-of-cost-or-market. The material component of its U.S. copper tube and copper fittings inventories is valued on a LIFO basis. Other manufactured inventories, including the non-material components of U.S. copper tube and copper fittings, are valued on a FIFO basis. Certain inventories purchased for resale are valued on an average cost basis. Elements of cost in finished goods inventory in addition to the cost of material include depreciation, amortization, utilities, consumable production supplies, maintenance, production wages, and transportation costs.

The market price of copper cathode and scrap is subject to volatility. During periods when open market prices decline below net book value, the Company may need to provide an allowance to reduce the carrying value of its inventory. In addition, certain items in inventory may be considered obsolete and, as such, the Company may establish an allowance to reduce the carrying value of those items to their net realizable value. Changes in these estimates related to the value of inventory, if any, may result in a materially adverse impact on the Company's reported financial position or results of operations. The Company recognizes the impact of any changes in estimates, assumptions, and judgments in income in the period in which it is determined.

### **Property, Plant, and Equipment**

Property, plant, and equipment are stated at cost. Depreciation of buildings, machinery, and equipment is provided on the straight-line method over the estimated useful lives ranging from 20 to 40 years for buildings and five to 20 years for machinery and equipment. Leasehold improvements are amortized over the lesser of their useful life or the remaining lease term. Repairs and maintenance are expensed as incurred.

The Company evaluates the carrying value of property, plant, and equipment whenever a change in circumstances indicates that the carrying value may not be recoverable from the undiscounted future cash flows from its operations and ultimate disposition. If an impairment exists, the net book values are reduced to fair value.

### **Goodwill**

Goodwill represents cost in excess of fair values assigned to the underlying net assets of acquired businesses. Goodwill is subject to impairment testing, which is performed by the Company as of the first day of the fourth quarter of each fiscal year, unless circumstances dictate more frequent testing. For testing purposes, the Company defines reporting units as components of its operating segments; components of a segment having similar economic characteristics are combined. The annual impairment test is a two-step process. The first step is the estimation of fair value of reporting units that have goodwill. If this estimate indicates that impairment potentially exists, the second step is performed. Step two, used to measure the amount of goodwill impairment loss, compares the implied fair value of goodwill to the carrying value. In step two the Company is required to allocate the fair value of each reporting unit, as determined in step one, to the fair value of the reporting unit's assets and liabilities, including unrecognized intangible assets and corporate allocation where applicable, in a hypothetical purchase price allocation as if the reporting unit had been purchased on that date. If the implied fair value of goodwill is less than the carrying value, an impairment charge is recorded. There can be no assurance that goodwill impairment will not occur in the future.

Because there are no observable inputs available (Level 3 hierarchy as defined by ASC 820 *Fair Value Measurements and Disclosures* (ASC 820)), the Company estimates fair value of reporting units based on a combination of the market approach and income approach. The market approach measures the fair value of a business through the analysis of publicly traded companies or recent sales of similar businesses. The income approach uses a discounted cash flow model to estimate the fair value of reporting units based on expected cash flows (adjusted for capital investment required to support operations) and a terminal value. This cash flow stream is discounted to its present value to arrive at a fair value for each reporting unit. Future earnings are estimated using the Company's most recent annual projections, applying a growth rate to future periods. Those projections are directly impacted by the condition of the markets in which the Company's businesses participate. For the reporting units included in the Plumbing & Refrigeration segment, the projections reflect, among other things, the decline of the residential construction market over the past several years. The OEM segment is also impacted by the residential construction market. Additionally, this segment is linked to the automotive industry, which has also been adversely affected by the economic downturn in recent years. The discount rate selected for the reporting units is generally based on rates of return available from alternative investments of similar type and quality at the date of valuation.

### **Self-Insurance Accruals**

The Company is primarily self-insured for workers' compensation claims and benefits paid under certain employee health care programs. Accruals are primarily based on estimated undiscounted cost of claims, which includes incurred but not reported claims, and are classified as accrued wages and other employee costs.

## **Environmental Reserves and Environmental Expenses**

The Company recognizes an environmental liability when it is probable the liability exists and the amount is reasonably estimable. The Company estimates the duration and extent of its remediation obligations based upon reports of outside consultants; internal analyses of cleanup costs and ongoing monitoring costs; communications with regulatory agencies; and changes in environmental law. If the Company were to determine that its estimates of the duration or extent of its environmental obligations were no longer accurate, the Company would adjust its environmental liabilities accordingly in the period that such determination is made. Estimated future expenditures for environmental remediation are not discounted to their present value. Accrued environmental liabilities are not reduced by potential insurance reimbursements.

Environmental expenses that relate to ongoing operations are included as a component of cost of goods sold. Environmental expenses related to non-operating properties are included in other income (expense), net on the Consolidated Statements of Income.

## **Earnings Per Share**

Basic earnings per share is computed based on the weighted average number of common shares outstanding. Diluted earnings per share reflects the increase in weighted average common shares outstanding that would result from the assumed exercise of outstanding stock options and vesting of restricted stock awards calculated using the treasury stock method. Approximately 1.3 million stock options were excluded from the computation of diluted earnings per share in 2010, as the options' exercise price was higher than the average market price of the Company's stock.

## **Income Taxes**

Deferred income tax assets and liabilities are recognized when differences arise between the treatment of certain items for financial statement and tax purposes. Realization of certain components of deferred tax assets is dependent upon the occurrence of future events. The Company records valuation allowances to reduce its deferred tax assets to the amount it believes is more likely than not to be realized. These valuation allowances can be impacted by changes in tax laws, changes to statutory tax rates, and future taxable income levels and are based on the Company's judgment, estimates, and assumptions regarding those future events. In the event the Company were to determine that it would not be able to realize all or a portion of the net deferred tax assets in the future, the Company would increase the valuation allowance through a charge to income tax expense in the period that such determination is made. Conversely, if the Company were to determine that it would be able to realize its deferred tax assets in the future, in excess of the net carrying amounts, the Company would decrease the recorded valuation allowance through a decrease to income tax expense in the period that such determination is made.

The Company provides for uncertain tax positions and the related interest and penalties, if any, based upon management's assessment of whether a tax benefit is more likely than not to be sustained upon examination by tax authorities. Tax benefits for uncertain tax positions that are recognized in the financial statements are measured as the largest amount of benefit, determined on a cumulative probability basis, that is more likely than not to be realized upon ultimate settlement. To the extent the Company prevails in matters for which a liability for an uncertain tax position is established or is required to pay amounts in excess of the liability, the Company's effective tax rate in a given financial statement period may be affected.

These estimates are highly subjective and could be affected by changes in business conditions and other factors. Changes in any of these factors could have a material impact on future income tax expense.

## **Taxes Collected from Customers and Remitted to Governmental Authorities**

Taxes assessed by a governmental authority that are directly imposed on a revenue producing transaction between the Company and its customers, primarily value added taxes in foreign jurisdictions, are accounted for on a net (excluded from revenues and costs) basis.



## **Stock-Based Compensation**

The Company has in effect stock incentive plans under which stock-based awards have been granted to certain employees and members of its board of directors. Stock-based compensation expense is recognized in the Consolidated Statements of Income as a component of selling, general, and administrative expense based on the grant date fair value of the awards.

## **Concentrations of Credit and Market Risk**

Concentrations of credit risk with respect to accounts receivable are limited due to the large number of customers comprising the Company's customer base, and their dispersion across different geographic areas and different industries, including HVAC, plumbing, refrigeration, hardware, automotive, OEMs, and others.

The Company minimizes its exposure to base metal price fluctuations through various strategies. Generally, it prices an equivalent amount of copper raw material, under flexible pricing arrangements it maintains with its suppliers, at the time it determines the selling price of finished products to its customers.

## **Derivative Instruments and Hedging Activities**

The Company has utilized futures contracts to manage the volatility related to purchases of copper and natural gas, and certain transactions denominated in foreign currencies. These contracts have been designated as cash flow hedges. The Company has also utilized futures contracts to protect the value of its copper inventory on hand and firm commitments to purchase copper through fair value hedges. In addition, the Company may elect to use foreign currency forward contracts to reduce the risk from exchange rate fluctuations on future purchases and intercompany transactions denominated in foreign currencies. The Company accounts for financial derivative instruments by applying hedge accounting rules. These rules require the Company to recognize all derivatives, as defined, as either assets or liabilities measured at fair value. If the derivative is designated as a hedge, depending on the nature of the hedge, changes in the fair value of the derivative will either be offset against the change in fair value of the hedged assets, liabilities, or firm commitments through earnings or recognized as a component of OCI until the hedged item is recognized in earnings. The ineffective portion of a derivative's change in fair value will be immediately recognized in earnings. Gains and losses recognized by the Company related to the ineffective portion of its hedging instruments, as well as gains and losses related to the portion of the hedging instruments excluded from the assessment of hedge effectiveness, were not material to the Company's Consolidated Financial Statements. Should these contracts no longer meet hedge criteria either through lack of effectiveness or because the hedged transaction is not probable of occurring, all deferred gains and losses related to the hedge will be immediately reclassified from OCI into earnings. Depending on position, the unrealized gain or loss on futures contracts are classified as other current assets or other current liabilities in the Consolidated Balance Sheets, and any changes thereto are recorded in changes in assets and liabilities in the Consolidated Statements of Cash Flows.

The Company primarily executes derivative contracts with major financial institutions. These counterparties expose the Company to credit risk in the event of non-performance. The amount of such exposure is limited to the fair value of the contract plus the unpaid portion of amounts due to the Company pursuant to terms of the derivative instruments, if any. If a downgrade in the credit rating of these counterparties occurs, management believes that this exposure is mitigated by provisions in the derivative arrangements which allow for the legal right of offset of any amounts due to the Company from the counterparties with any amounts payable to the counterparties by the Company. As a result, management considers the risk of loss from counterparty default to be minimal.

## **Fair Value of Financial Instruments**

The carrying amounts for cash and cash equivalents, accounts receivable, and accounts payable approximate fair value due to the short-term maturity of these instruments.

The fair value of long-term debt at December 29, 2012 approximates the carrying value on that date. Outstanding borrowings have variable interest rates that re-price frequently at current market rates. At December 31, 2011 the fair value of the Company's debt instruments was estimated to be \$197.0 million based on relevant market information about the financial instruments (Level 2 hierarchy as defined by ASC 820).

## Foreign Currency Translation

For foreign subsidiaries in which the functional currency is other than the U.S. dollar, balance sheet accounts are translated at exchange rates in effect at the end of the year and income statement accounts are translated at average exchange rates for the year. Translation gains and losses are included in equity as a component of OCI. Included in the Consolidated Statements of Income were transaction gains of \$0.3 million in 2012 and losses of \$0.7 million in 2011 and \$2.2 million in 2010.

## Use of Estimates

The preparation of financial statements in conformity with accounting principles generally accepted in the United States requires management to make estimates, assumptions, and judgments that affect the amounts reported in the financial statements and accompanying notes. Actual results could differ from those estimates.

## Recently Issued Accounting Standards

In January 2012, the Company adopted Accounting Standard Update (ASU) No. 2011-05, *Presentation of Comprehensive Income*, which requires presentation of the components of net income and other comprehensive income either as one continuous statement or as two consecutive statements and eliminates the option to present components of other comprehensive income as part of the statement of changes in stockholders' equity. The standard does not change the items that must be reported in other comprehensive income, how such items are measured, or when they must be reclassified to net income.

In February 2013, the Financial Accounting Standards Board issued ASU No. 2013-02, *Reporting of Amounts Reclassified Out of Accumulated Other Comprehensive Income* (ASU 2013-02). Under ASU 2013-02, an entity is required to provide information about the amounts reclassified out of accumulated OCI by component. In addition, an entity is required to present, either on the face of the financial statements or in the notes, significant amounts reclassified out of accumulated OCI by the respective line items of net income, but only if the amount reclassified is required to be reclassified in its entirety in the same reporting period. For amounts that are not required to be reclassified in their entirety to net income, an entity is required to cross-reference to other disclosures that provide additional details about those amounts. ASU 2013-02 does not change the current requirements for reporting net income or other comprehensive income in the financial statements. ASU 2013-02 is effective for the Company in the reporting period beginning December 30, 2012.

## Note 2 – Inventories

<i>(In thousands)</i>	2012	2011
Raw materials and supplies	\$ 46,114	\$ 42,281
Work-in-process	40,951	38,420
Finished goods	148,014	143,648
Valuation reserves	<u>(5,645)</u>	<u>(5,156)</u>
Inventories	<u>\$ 229,434</u>	<u>\$ 219,193</u>

Inventories valued using the LIFO method totaled \$19.9 million at December 29, 2012 and \$15.1 million at December 31, 2011. At December 29, 2012 and December 31, 2011, the approximate FIFO cost of such inventories was \$109.8 million and \$101.2 million, respectively. Additionally, the Company valued certain inventories purchased for resale on an average cost basis. The values of those inventories were \$51.4 million at December 29, 2012 and \$44.9 million at December 31, 2011.

During 2011, inventory quantities valued using the LIFO method declined which resulted in liquidation of LIFO inventory layers. This liquidation resulted from intercompany sales; therefore the gain from the LIFO liquidation of approximately \$8.0 million was deferred. During the first quarter of 2012, the Company sold this inventory to third parties and recognized the gain. This recognition resulted in a reduction of approximately \$8.0 million to cost of sales, or \$0.13 per diluted share after tax.

At December 29, 2012, the FIFO value of inventory consigned to others was \$4.5 million compared with \$2.9 million at the end of 2011.

**Note 3 – Property, Plant, and Equipment, Net**

<i>(In thousands)</i>	2012	2011
Land and land improvements	\$ 11,066	\$ 10,932
Buildings	113,854	110,456
Machinery and equipment	571,435	541,793
Construction in progress	24,527	10,137
	720,882	673,318
Less accumulated depreciation	(487,619)	(469,574)
Property, plant, and equipment, net	\$ 233,263	\$ 203,744

**Note 4 – Goodwill, Net**

The changes in the carrying amount of goodwill were as follows:

<i>(In thousands)</i>	Plumbing & Refrigeration Segment	OEM Segment	Total
Balance at December 31, 2011 and December 25, 2010:			
Goodwill	\$ 141,684	\$ 9,971	\$ 151,655
Accumulated impairment and amortization	(39,434)	(9,971)	(49,405)
	102,250	—	102,250
Additions	—	2,329	2,329
Balance at December 29, 2012:			
Goodwill	141,684	12,300	153,984
Accumulated impairment and amortization	(39,434)	(9,971)	(49,405)
	\$ 102,250	\$ 2,329	\$ 104,579

In 2012, the Company acquired Westermeyer Industries, Inc. Of the \$11.6 million purchase price, \$2.3 million was allocated to goodwill.

There were no impairment charges resulting from the 2012, 2011 or 2010 impairment tests since the estimated fair value of the reporting units substantially exceeded their carrying value.

**Note 5 – Debt**

<i>(In thousands)</i>	2012	2011
6% Subordinated Debentures, due 2014	\$ —	\$ 148,176
2001 Series IRB's with interest at 1.32%, due through 2021	8,250	9,250
Term Loan Facility with interest at 1.59%, due 2017	200,000	—
Mueller-Xingrong line of credit with interest at 6.00%, due 2013	26,570	40,265
Other	50	50
	234,870	197,741
Less current portion of debt	(27,570)	(41,265)
Long-term debt	\$ 207,300	\$ 156,476

On May 24, 2012, the Company issued a Notice of Full Redemption of its outstanding 6% Subordinated Debentures, due 2014 (the Debentures). The Debentures were redeemed on June 25, 2012 at par value totaling approximately \$148.2 million in principal plus accrued interest of approximately \$1.3 million.

On July 27, 2012, Mueller-Xingrong entered into a credit agreement (the JV Credit Agreement) with a syndicate of four banks establishing a secured RMB 350 million, or approximately \$55.0 million revolving credit facility with a maturity date of July 27, 2013. The JV Credit Agreement replaced the previous secured RMB 350 million financing agreement that was scheduled to mature on July 28, 2012. Borrowings under the JV Credit Agreement are secured by the real property and equipment of Mueller-Xingrong and bear interest at the latest base-lending rate published by the People's Bank of China, which was 6.00 percent at December 29, 2012. The JV Credit Agreement requires lender consent for the payment of dividends.

On September 24, 2012, the Company entered into an agreement with Leucadia National Corporation (Leucadia) to repurchase 10.4 million shares of the Company's common stock at a total cost of \$427.3 million. The Company funded the purchase price with available cash on hand and borrowings of \$200.0 million under its \$350.0 million revolving credit facility (the Revolving Credit Facility) provided by its credit agreement (the Agreement) dated March 7, 2011. On December 11, 2012, the Company amended the Agreement to add a \$200.0 million term loan facility (the Term Loan Facility), after which the total borrowing capacity under the Agreement was increased to \$550.0 million. The Company used the borrowings under the Term Loan Facility to replace the amounts previously advanced under the Revolving Credit Facility. The amendment also adjusted the pricing and extended the maturity date to December 11, 2017 for all borrowings under the Agreement. Borrowings under the Agreement bear interest, at the Company's option, at LIBOR or Base Rate as defined by the Agreement, plus a variable premium. LIBOR advances may be based upon the one, three, or six-month LIBOR. The variable premium is based upon the Company's debt to total capitalization ratio, and can range from 112.5 to 162.5 basis points for LIBOR based loans and 12.5 to 62.5 basis points for Base Rate loans. At December 29, 2012, the premium was 137.5 basis points for LIBOR loans and 37.5 basis points for Base Rate loans. Additionally, a facility fee is payable quarterly on the total commitment and varies from 25.0 to 37.5 basis points based upon the Company's debt to total capitalization ratio. Availability of funds under the Revolving Credit Facility is reduced by the amount of certain outstanding letters of credit, which are used to secure the Company's payment of insurance deductibles and certain retiree health benefits, totaling approximately \$10.9 million at December 29, 2012. Terms of the letters of credit are generally one year but are renewable annually.

Covenants contained in the Company's financing obligations require, among other things, the maintenance of minimum levels of tangible net worth and the satisfaction of certain minimum financial ratios. At December 29, 2012, the Company was in compliance with all debt covenants.

Aggregate annual maturities of the Company's debt are \$27.6 million in 2013, \$1.1 million in 2014, \$1.0 million in 2015, \$1.0 million in 2016, \$201.0 million in 2017, and \$3.2 million thereafter. Interest paid in 2012, 2011, and 2010 was \$8.4 million, \$10.8 million, and \$11.4 million, respectively. No interest was capitalized in 2012, 2011, or 2010.

#### **Note 6 –Equity**

The Company's Board of Directors has extended, until October 2013, its authorization to repurchase up to ten million shares of the Company's common stock through open market transactions or through privately negotiated transactions. The Company has no obligation to purchase any shares and may cancel, suspend, or extend the time period for the purchase of shares at any time. Any purchases will be funded primarily through existing cash and cash from operations. The Company may hold any shares purchased in treasury or use a portion of the repurchased shares for its stock-based compensation plans, as well as for other corporate purposes. From its initial authorization in 1999 through December 29, 2012, the Company had repurchased approximately 2.4 million shares under this authorization.

The Company entered into an agreement with Leucadia pursuant to which the Company repurchased from Leucadia 10.4 million shares of the Company's common stock on September 24, 2012 at a total cost of \$427.3 million. The Company's repurchase transaction with Leucadia was completed outside of the repurchase authorization previously approved by the Board of Directors.

Components of accumulated other comprehensive loss are as follows:

<i>(In thousands)</i>	<u>2012</u>	<u>2011</u>
Cumulative foreign currency translation adjustment	\$ (3,032)	\$ (10,396)
Unrecognized prior service cost, net of income tax	(13)	(13)
Unrecognized actuarial net loss, net of income tax	(39,514)	(38,667)
Unrecognized derivative gains, net of income tax	(167)	(422)
Unrealized gain on marketable securities, net of income tax	<u>103</u>	<u>89</u>
Accumulated other comprehensive loss	<u>\$ (42,623)</u>	<u>\$ (49,409)</u>

The change in cumulative foreign currency translation adjustment primarily relates to the Company's investment in foreign subsidiaries and fluctuations in exchange rates between their local currencies and the U.S. dollar. During 2012, the value of the Mexican peso and the British pound increased approximately 7.6 percent and 3.9 percent relative to the U.S. dollar, respectively.

#### Note 7 – Income Taxes

The components of income before income taxes were taxed under the following jurisdictions:

<i>(In thousands)</i>	<u>2012</u>	<u>2011</u>	<u>2010</u>
Domestic	\$ 105,945	\$ 118,208	\$ 88,262
Foreign	<u>14,409</u>	<u>11,953</u>	<u>33,588</u>
Income before income taxes	<u>\$ 120,354</u>	<u>\$ 130,161</u>	<u>\$ 121,850</u>

Income tax expense consists of the following:

<i>(In thousands)</i>	<u>2012</u>	<u>2011</u>	<u>2010</u>
Current tax expense:			
Federal	\$ 33,152	\$ 43,127	\$ 32,132
Foreign	1,764	1,740	6,292
State and local	<u>3,049</u>	<u>2,398</u>	<u>2,518</u>
Current tax expense	<u>37,965</u>	<u>47,265</u>	<u>40,942</u>
Deferred tax (benefit) expense:			
Federal	570	(6,480)	(4,057)
Foreign	(2,015)	344	(2,036)
State and local	<u>161</u>	<u>1,946</u>	<u>(534)</u>
Deferred tax benefit	<u>(1,284)</u>	<u>(4,190)</u>	<u>(6,627)</u>
Income tax expense	<u>\$ 36,681</u>	<u>\$ 43,075</u>	<u>\$ 34,315</u>

No provision is made for U.S. income taxes applicable to undistributed earnings of foreign subsidiaries that are indefinitely reinvested in foreign operations. It is not practicable to compute the potential deferred tax liability associated with these undistributed foreign earnings.

The difference between the reported income tax expense and a tax determined by applying the applicable U.S. federal statutory income tax rate to income before income taxes is reconciled as follows:

<i>(In thousands)</i>	2012	2011	2010
Expected income tax expense	\$ 42,124	\$ 45,556	\$ 42,647
State and local income tax, net of federal benefit	3,178	4,267	2,867
Effect of foreign statutory rate different from U.S. and other foreign adjustments	(2,637)	(560)	(2,143)
Valuation allowance changes	(1,224)	(443)	(5,496)
U.S. production activities deduction	(2,975)	(3,850)	(2,975)
Tax contingency changes	(3,224)	(1,934)	(1,516)
Other, net	1,439	39	931
Income tax expense	<u>\$ 36,681</u>	<u>\$ 43,075</u>	<u>\$ 34,315</u>

During 2012 and 2011, the Company released a valuation allowance of \$1.2 million, or three cents per diluted share, and \$0.4 million, or one cent per diluted share, respectively, due to the expectation that certain state tax attributes will be utilized.

During 2010, as a result of income from an insurance settlement in a foreign jurisdiction, the Company utilized a deferred tax asset and released a related valuation allowance of \$5.5 million, or 15 cents per diluted share. Additional valuation allowance releases totaled \$1.1 million, or three cents per diluted share, due to the expectation that certain state tax attributes will be utilized. The Company also added a valuation allowance of \$1.1 million, or three cents per diluted share, to offset a foreign deferred tax asset generated during 2010.

The following summarizes the activity related to the Company's unrecognized tax benefits:

<i>(In thousands)</i>	2012	2011
Beginning balance	\$ 6,572	\$ 8,565
Increases related to prior year tax positions	—	—
Increases related to current year tax positions	—	—
Decreases related to prior year tax positions	—	(802)
Decreases related to settlements with taxing authorities	—	—
Decreases due to lapses in the statute of limitations	(3,313)	(1,191)
Ending balance	<u>\$ 3,259</u>	<u>\$ 6,572</u>

Federal income tax benefits associated with state tax uncertainties and interest on federal tax uncertainties are recorded as a deferred tax asset. As of December 29, 2012, this asset totaled \$0.2 million. Of the \$3.3 million total unrecognized tax benefits and \$0.2 million of accrued interest, up to \$0.6 million could affect the effective tax rate, if recognized. Due to ongoing income tax audits and potential lapses of the statutes of limitations in various taxing jurisdictions, it is reasonably possible that the Company's unrecognized tax benefits and accrued interest may decrease in the next twelve months up to \$0.6 million.

The Company includes interest and penalties related to income tax matters as a component of income tax expense. Cumulative potential interest and penalties accrued related to unrecognized tax benefits totaled \$0.2 million as of December 29, 2012 and December 31, 2011, without consideration of any applicable federal benefit. The net reduction to income tax expense related to penalties and interest was immaterial in 2012, \$0.5 million in 2011, and \$0.2 million in 2010.

The Internal Revenue Service concluded its audit of the Company's 2009 and 2010 federal income tax returns during 2012, the results of which were immaterial to the Consolidated Financial Statements. Audit settlements of the 2004 and 2005 years in Mexico resulted in tax expense of \$2.0 million, or five cents per diluted share during 2010. The Company is currently under audit in various state and foreign jurisdictions.

The statute of limitations is still open for the Company's federal tax return and most state income tax returns for the 2009 return and all subsequent years. The statutes of limitations for certain state and foreign returns are also open for some earlier tax years due to ongoing audits and differing statute periods. While the Company believes that it is adequately reserved for possible audit adjustments, the final resolution of these examinations cannot be determined with certainty and could result in final settlements that differ from current estimates.

The tax effects of temporary differences that give rise to significant portions of the deferred tax assets and deferred tax liabilities are presented below:

<i>(In thousands)</i>	2012	2011
Deferred tax assets:		
Accounts receivable	\$ 447	\$ 424
Inventories	7,829	11,075
Other postretirement benefits and accrued items	14,767	13,880
Pension	10,489	10,673
Other reserves	14,905	14,671
Federal and foreign tax attributes	9,829	7,421
State tax attributes, net of federal benefit	29,880	30,478
Insurance Claim Receivable	8,048	244
Share-based Compensation	1,493	2,052
Total deferred tax assets	97,687	90,918
Less valuation allowance	(30,394)	(29,705)
Deferred tax assets, net of valuation allowance	67,293	61,213
Deferred tax liabilities:		
Property, plant, and equipment	49,531	44,757
Other	983	893
Total deferred tax liabilities	50,514	45,650
Net deferred tax asset	\$ 16,779	\$ 15,563

As of December 29, 2012, after consideration of the federal impact, the Company had state income tax credit carryforwards of \$0.9 million, most of which expire by 2015, and other state income tax credit carryforwards of \$13.2 million with unlimited lives. The Company had state net operating loss (NOL) carryforwards with potential tax benefits of \$15.8 million expiring between 2014 and 2027. The state tax credit and NOL carryforwards are offset by valuation allowances totaling \$23.1 million.

As of December 29, 2012, the Company had federal and foreign tax attributes with potential tax benefits of \$9.8 million, of which \$4.6 million has an unlimited life and \$5.2 million expire from 2013 to 2018. These attributes were offset by valuation allowances of \$7.3 million.

Income taxes paid were approximately \$38.4 million in 2012, \$45.9 million in 2011, and \$46.0 million in 2010.

#### **Note 8 – Other Current Liabilities**

Included in other current liabilities were deferred costs related to the fire at the Wynne, Arkansas facility of \$44.6 million at December 29, 2012, accrued discounts and allowances of \$41.7 million at December 29, 2012 and \$40.8 million at December 31, 2011, and taxes payable of \$6.2 million at December 29, 2012 and \$9.3 million at December 31, 2011.



## Note 9 – Employee Benefits

The Company sponsors several qualified and nonqualified pension plans and other postretirement benefit plans for certain of its employees. The following tables provide a reconciliation of the changes in the plans' benefit obligations and the fair value of the plans' assets for 2012 and 2011, and a statement of the plans' aggregate funded status as of December 29, 2012 and December 31, 2011 as follows:

<i>(In thousands)</i>	Pension Benefits		Other Benefits	
	2012	2011	2012	2011
<b>Change in benefit obligation:</b>				
Obligation at beginning of year	\$ 180,341	\$ 174,464	\$ 19,945	\$ 21,083
Service cost	884	1,394	380	344
Interest cost	8,472	9,051	635	993
Actuarial loss (gain)	14,458	6,077	(1,838)	(1,369)
Benefit payments	(10,583)	(10,942)	(1,131)	(937)
Foreign currency translation adjustment	2,595	297	105	(169)
Obligation at end of year	<u>196,167</u>	<u>180,341</u>	<u>18,096</u>	<u>19,945</u>
<b>Change in fair value of plan assets:</b>				
Fair value of plan assets at beginning of year	147,502	156,215	—	—
Actual return on plan assets	18,964	(1,306)	—	—
Employer contributions	3,216	3,094	1,131	937
Benefit payments	(10,583)	(10,942)	(1,131)	(937)
Foreign currency translation adjustment	1,881	441	—	—
Fair value of plan assets at end of year	<u>160,980</u>	<u>147,502</u>	<u>—</u>	<u>—</u>
Underfunded status at end of year	<u>\$ (35,187)</u>	<u>\$ (32,839)</u>	<u>\$ (18,096)</u>	<u>\$ (19,945)</u>

The following represents amounts recognized in accumulated OCI (before the effect of income taxes) at December 29, 2012 and December 31, 2011:

<i>(In thousands)</i>	Pension Benefits		Other Benefits	
	2012	2011	2012	2011
Unrecognized net actuarial loss (gain)	\$ 61,125	\$ 58,436	\$ (1,630)	\$ 118
Unrecognized prior service cost	2	3	19	17

The Company sponsors one pension plan in the U.K. which comprised 36 percent of the above benefit obligation at December 29, 2012 and December 31, 2011, and 35 percent and 33 percent of the above plan assets at December 29, 2012 and December 31, 2011, respectively.

As of December 29, 2012, \$3.9 million of the actuarial net loss will, through amortization, be recognized as components of net periodic benefit cost in 2013.

In aggregate, the underfunded plans are recognized as a liability in the Consolidated Balance Sheets. The amounts recognized as a liability are classified as current or long-term on a plan-by-plan basis. Liabilities are classified as current to the extent the actuarial present value of benefits payable within the next 12 months exceed the fair value of plan assets, with all remaining amounts being classified as long-term. As of December 29, 2012 and December 31, 2011, the total funded status of the plans recognized in the Consolidated Balance Sheets was as follows:

<i>(In thousands)</i>	Pension Benefits		Other Benefits	
	2012	2011	2012	2011
Current liability	\$ —	\$ —	\$ (1,187)	\$ (1,333)
Long-term liability	(35,187)	(32,839)	(16,909)	(18,612)
Total underfunded status	<u>\$ (35,187)</u>	<u>\$ (32,839)</u>	<u>\$ (18,096)</u>	<u>\$ (19,945)</u>

The components of net periodic benefit cost are as follows:

<i>(In thousands)</i>	2012	2011	2010
Pension benefits:			
Service cost	\$ 884	\$ 1,394	\$ 823
Interest cost	8,472	9,051	9,374
Expected return on plan assets	(10,263)	(11,569)	(11,443)
Amortization of prior service cost	1	2	294
Amortization of net loss	3,883	2,346	2,307
Net periodic benefit cost	<u>\$ 2,977</u>	<u>\$ 1,224</u>	<u>\$ 1,355</u>
Other benefits:			
Service cost	\$ 380	\$ 344	\$ 273
Interest cost	635	993	1,333
Amortization of prior service (credit) cost	(2)	(3)	1
Amortization of net (gain) loss	(73)	(2)	156
Effect of curtailments and settlements	—	—	25
Net periodic benefit cost	<u>\$ 940</u>	<u>\$ 1,332</u>	<u>\$ 1,788</u>

Prior service costs are amortized on a straight-line basis over the average remaining service period of active participants. Gains and losses in excess of 10 percent of the greater of the benefit obligation and the market-related value of assets are amortized over the average remaining service period of active participants.

The weighted average assumptions used in the measurement of the Company's benefit obligations are as follows:

	Pension Benefits		Other Benefits	
	2012	2011	2012	2011
Discount rate	4.13%	4.80%	4.06%	4.97%
Expected long-term return on plan assets	7.15%	7.11%	N/A	N/A
Rate of compensation increases	N/A	N/A	5.04%	5.04%
Rate of inflation	2.70%	3.00%	N/A	N/A

The weighted average assumptions used in the measurement of the Company's net periodic benefit cost are as follows:

	Pension Benefits			Other Benefits		
	2012	2011	2010	2012	2011	2010
Discount rate	4.80%	5.25%	5.77%	4.97%	5.39%	6.08%
Expected long-term return on plan assets	7.11%	7.51%	8.04%	N/A	N/A	N/A
Rate of compensation increases	N/A	N/A	N/A	5.04%	5.04%	5.04%
Rate of inflation	3.00%	3.40%	3.75%	N/A	N/A	N/A

The Company's Mexican postretirement plans use the rate of compensation increase in the benefit formulas. Past service on the U.K. pension plan will be adjusted for the effects of inflation. All other pension plans use benefit formulas based on length of service.

The annual assumed rate of increase in the per capita cost of covered benefits (i.e., health care cost trend rate) is assumed to range from 5.97 to 8.50 percent for 2013, gradually decrease to 4.50 percent through 2021, and remain at that level thereafter. The health care cost trend rate assumption could have a significant effect on the amounts reported. For example, increasing the assumed health care cost trend rates by one percentage point would increase the accumulated postretirement benefit obligation by \$1.7 million and the service and interest cost components of net periodic postretirement benefit costs by \$0.1 million for 2013. Decreasing the assumed health care cost trend rates by one percentage point in each year would decrease the accumulated postretirement benefit obligation and the service and interest cost components of net periodic postretirement benefit costs for 2013 by \$1.4 million and \$0.1 million, respectively.

The weighted average asset allocation of the Company's pension fund assets are as follows:

Asset category	Pension Plan Assets	
	2012	2011
Equity securities (includes equity mutual funds)	84%	80%
Fixed income securities (includes fixed income mutual funds)	5	5
Cash and equivalents (includes money market funds)	9	8
Alternative investments	2	7
Total	100%	100%

At December 29, 2012, the Company's target allocation, by asset category, of assets of its defined benefit pension plans was: (i) equity securities, including equity index funds – at least 60 percent; (ii) fixed income securities – not more than 25 percent; and (iii) alternative investments – not more than 20 percent.

The Company's pension plan obligations are long-term and, accordingly, the plan assets are invested for the long-term. The Company believes that a diversified portfolio of equity securities (both actively managed and index funds) and private equity funds have an acceptable risk-return profile that, over the long-term, is better than fixed income securities. Consequently, the pension plan assets are heavily weighted to equity investments. Plan assets are monitored periodically. Based upon results, investment managers and/or asset classes are redeployed when considered necessary. Expected rates of return on plan assets were determined based on historical market returns giving consideration to the targeted composition of each plan's portfolio. None of the plans' assets are expected to be returned to the Company during the next fiscal year.

The Company's investments for its pension plans are reported at fair value. The following methods and assumptions were used to estimate the fair value of the Company's plan asset investments:

*Cash and money market funds* – Valued at cost, which approximates fair value.

*Common stock* – Valued at the closing price reported on the active market on which the individual securities are traded.

*Mutual funds* – Valued at the net asset value of shares held by the plans at December 29, 2012 and December 31, 2011, respectively, based upon quoted market prices.

*Limited partnerships* – Limited partnerships include investments in various Cayman Island multi-strategy hedge funds. The plans' investments in limited partnerships are valued at the estimated fair value of the class shares owned by the plans based upon the equity in the estimated fair value of those shares. The estimated fair values of the limited partnerships are determined by the investment managers. In determining fair value, the investment managers of the limited partnerships utilize the estimated net asset valuations of the underlying investment entities. The underlying investment entities value securities and other financial instruments on a mark-to-market or estimated fair value basis. The estimated fair value is determined by the investment managers based upon, among other things, the type of investments, purchase price, marketability, current financial condition, operating results, and other information. The estimated fair values of substantially all of the investments of the underlying investment entities, which may include securities for which prices are not readily available, are determined by the investment managers or management of the respective underlying investment entities and may not reflect amounts that could be realized upon immediate sale. Accordingly, the estimated fair values may differ significantly from the values that would have been used had a ready market existed for these investments.

The following table sets forth by level, within the fair value hierarchy, the assets of the plans at fair value as of December 29, 2012, and December 31, 2011, respectively:

<i>(In thousands)</i>	Fair Value Measurements at December 29, 2012			
	Level 1	Level 2	Level 3	Total
Cash and money market funds	\$ 13,691	\$ —	\$ —	\$ 13,691
Common stock <sup>(1)</sup>	65,604	—	—	65,604
Mutual funds <sup>(2)</sup>	21,497	55,695	—	77,192
Limited partnerships	—	—	4,493	4,493
<b>Total</b>	<b>\$ 100,792</b>	<b>\$ 55,695</b>	<b>\$ 4,493</b>	<b>\$ 160,980</b>

<i>(In thousands)</i>	Fair Value Measurements at December 31, 2011			
	Level 1	Level 2	Level 3	Total
Cash and money market funds	\$ 11,707	\$ —	\$ —	\$ 11,707
Common stock <sup>(3)</sup>	58,498	—	—	58,498
Mutual funds <sup>(4)</sup>	19,054	47,098	—	66,152
Limited partnerships	—	—	11,145	11,145
<b>Total</b>	<b>\$ 89,259</b>	<b>\$ 47,098</b>	<b>\$ 11,145</b>	<b>\$ 147,502</b>

- (1) *Approximately 90 percent of common stock represents investments in U.S. companies primarily in the health care, utilities, financials, consumer staples, industrials, and information technology sectors. All investments in common stock are listed on U.S. stock exchanges.*
- (2) *Approximately 32 percent of mutual funds are actively managed funds and approximately 68 percent of mutual funds are index funds. Additionally, 31 percent of the mutual funds' assets are invested in U.S. equities, 59 percent in non-U.S. equities, and 10 percent in non-U.S. fixed income securities.*
- (3) *Approximately 88 percent of common stock represents investments in U.S. companies primarily in the health care, utilities, financials, consumer staples, industrials, information technology, and telecommunications sectors. All investments in common stock are listed on U.S. stock exchanges.*
- (4) *Approximately 30 percent of mutual funds are actively managed funds and approximately 70 percent of mutual funds are index funds. Additionally, 32 percent of the mutual funds' assets are invested in U.S. equities, 57 percent in non-U.S. equities, and 11 percent in non-U.S. fixed income securities.*

The table below reflects the changes in the assets of the plan measured at fair value on a recurring basis using significant unobservable inputs (Level 3 hierarchy as defined by ASC 820) during the year ended December 29, 2012:

<i>(In thousands)</i>	<u>Limited Partnerships</u>
Balance, December 31, 2011	\$ 11,145
Purchases	314
Redemptions	(7,468)
Net appreciation in fair value	<u>502</u>
Balance, December 29, 2012	<u>\$ 4,493</u>

Redemption of the plans' investments in limited partnerships requires advance written notice. One of the funds can be redeemed quarterly with 60 days' notice, and the other fund can be redeemed monthly with 30 days' notice. There are no other restrictions on the redemption of the investments.

The assets of the plans do not include investments in securities issued by the Company. The Company expects to contribute approximately \$1.6 million to its pension plans and \$1.2 million to its other postretirement benefit plans in 2013. The Company expects future benefits to be paid from the plans as follows:

<i>(In thousands)</i>	<u>Pension Benefits</u>	<u>Other Benefits</u>
2013	\$ 11,079	\$ 1,187
2014	11,201	1,165
2015	11,352	1,232
2016	11,486	1,175
2017	11,620	1,178
2018-2022	<u>59,548</u>	<u>6,192</u>
Total	<u>\$ 116,286</u>	<u>\$ 12,129</u>

The Company contributes to the IAM National Pension Fund, National Pension Plan (IAM Plan), a multiemployer defined benefit plan. Participation in the IAM Plan was negotiated under the terms of two collective bargaining agreements in Port Huron, Michigan, the Local 218 IAM and Local 44 UAW that expire on May 1, 2013 and July 20, 2013, respectively. The Employer Identification Number for this plan is 51-6031295.

The risks of participating in multiemployer plans are different from single-employer plans in the following aspects: (i) Assets contributed to the multiemployer plan by one employer may be used to provide benefits to employees of other participating employers; (ii) if a participating employer stops contributing to the plan, the underfunded obligations of the plan may be borne by the remaining participating employers; (iii) if the Company chooses to stop participating in the plan, the Company may be required to pay the plan an amount based on the underfunded status of the plan, referred to as a withdrawal liability.

The Company makes contributions to the IAM Plan trusts that cover certain union employees; contributions by employees are not required nor are they permitted. Contributions to the IAM Plan were \$1.0 million in 2012, \$0.9 million in 2011, and \$0.7 million in 2010. The Company's contributions are less than five percent of total employer contributions made to the IAM Plan indicated in the most recently filed Form 5500.

Under the Pension Protection Act of 2006, the IAM Plan's actuary must certify the plan's zone status annually. Plans in the red zone are generally less than 65 percent funded, plans in the yellow zone are less than 80 percent funded, and plans in the green zone are at least 80 percent funded. If a plan is determined to be in endangered status, red zone or yellow zone, the plan's trustees must develop a formal plan of corrective action, a Financial Improvement Plan and/or a Rehabilitation Plan. For 2012 and 2011 the IAM Plan was determined to have green zone status; therefore, no formal plan of corrective action is either pending or has been implemented.

The Company sponsors voluntary employee savings plans that qualify under Section 401(k) of the Internal Revenue Code of 1986. Compensation expense for the Company's matching contribution to the 401(k) plans was \$2.9 million in 2012, \$3.0 million in 2011, and \$2.5 million in 2010. The Company's match is a cash contribution. Participants direct the investment of their account balances by allocating among a range of asset classes including mutual funds (equity, fixed income, and balanced funds), and money market funds. The plans do not allow direct investment in securities issued by the Company.

In October 1992, the Coal Industry Retiree Health Benefit Act of 1992 (the Act) was enacted. The Act mandates a method of providing for postretirement benefits to the United Mine Workers of America (UMWA) current and retired employees, including some retirees who were never employed by the Company. In October 1993, beneficiaries were assigned to the Company and the Company began its mandated contributions to the UMWA Combined Benefit Fund, a multiemployer trust. Beginning in 1994, the Company was required to make contributions for assigned beneficiaries under an additional multiemployer trust created by the Act, the UMWA 1992 Benefit Plan. The ultimate amount of the Company's liability under the Act will vary due to factors which include, among other things, the validity, interpretation, and regulation of the Act, its joint and several obligation, the number of valid beneficiaries assigned, and the extent to which funding for this obligation will be satisfied by transfers of excess assets from the 1950 UMWA pension plan and transfers from the Abandoned Mine Reclamation Fund. Contributions to the plan were \$315 thousand, \$338 thousand, and \$478 thousand for the years ended December 29, 2012, December 31, 2011, and December 25, 2010, respectively.

## **Note 10 – Commitments and Contingencies**

### **Environmental**

The Company is subject to environmental standards imposed by federal, state, local, and foreign environmental laws and regulations. For all properties, the Company has provided and charged to expense \$3.1 million in 2012, \$0.4 million in 2011, and \$5.4 million in 2010 for pending environmental matters. Environmental costs related to non-operating properties are classified as a component of other income (expense), net and costs related to operating properties are classified as cost of goods sold. Environmental reserves totaled \$24.6 million at December 29, 2012 and \$22.9 million at December 31, 2011. As of December 29, 2012, the Company expects to spend on existing environmental matters \$1.9 million in 2013, \$0.9 million in 2014, \$0.8 million in 2015, \$0.9 million in 2016, \$0.9 million in 2017, and \$9.7 million thereafter. The timing of a potential payment for a \$9.5 million settlement offer has not yet been determined.

#### Non-operating Properties

##### *Southeast Kansas Sites*

By letter dated October 10, 2006, the Kansas Department of Health and Environment (KDHE) advised the Company that environmental contamination has been identified at a former smelter site in southeast Kansas. KDHE asserts that the Company is a corporate successor to an entity that is alleged to have owned and operated the smelter from 1915 to 1918. The Company has since been advised of a possible connection between that same entity and two other former smelter sites in Kansas. KDHE has requested that the Company and other potentially responsible parties (PRPs) negotiate a consent order with KDHE to address contamination at these sites. The Company believes it is not liable for the contamination but as an alternative to litigation, the Company has entered into settlement negotiations with one of the other PRPs. The negotiations are ongoing. In 2008, the Company established a reserve of \$9.5 million for this matter. Due to the ongoing nature of negotiations, the timing of potential payment has not yet been determined. The Company has agreed to share the costs of a preliminary site assessment at one of the former smelter sites with two other PRPs, signed an agreement, and agreed on a work plan with KDHE by which the PRPs would study the East La Harpe site without conceding liability. The Company also paid \$10 thousand toward KDHE's past costs and received a release for any further claims for past costs at the site. Discussions with KDHE and the U.S. Environmental Protection Agency (EPA), and other PRPs about the other two smelter sites continue.

### *Shasta Area Mine Sites*

Mining Remedial Recovery Company (MRRC), a wholly owned subsidiary, owns certain inactive mines in Shasta County, California. MRRC has continued a program, begun in the late 1980's, of sealing mine portals with concrete plugs in mine adits, which were discharging water. The sealing program has achieved significant reductions in the metal load in discharges from these adits; however, additional reductions are required pursuant to an order issued by the California Regional Water Quality Control Board (QCB). In response to a 1996 Order issued by the QCB, MRRC completed a feasibility study in 1997 describing measures designed to mitigate the effects of acid rock drainage. In December 1998, the QCB modified the 1996 order extending MRRC's time to comply with water quality standards. In September 2002, the QCB adopted a new order requiring MRRC to adopt Best Management Practices (BMP) to control discharges of acid mine drainage. That order extended the time to comply with water quality standards until September 2007. During that time, implementation of BMP further reduced impacts of acid rock drainage; however, full compliance has not been achieved. The QCB is presently renewing MRRC's discharge permit and will concurrently issue a new order. It is expected that the new permit will include an order requiring continued implementation of BMP through 2015 to address residual discharges of acid rock drainage. At this site, MRRC spent approximately \$1.7 million from 2010 through 2012 and estimates that it will spend between approximately \$8.4 million and \$12.4 million over the next 20 years.

### *Lead Refinery Site*

U.S.S. Lead Refinery, Inc. (Lead Refinery), a non-operating wholly owned subsidiary of MRRC, has conducted corrective action and interim remedial activities and studies (collectively, Site Activities) at Lead Refinery's East Chicago, Indiana site pursuant to the Resource Conservation and Recovery Act. Site Activities, which began in December 1996, have been substantially concluded. Lead Refinery is required to perform monitoring and maintenance activities with respect to Site Activities pursuant to a post-closure permit issued by the Indiana Department of Environmental Management (IDEM) effective as of January 22, 2008. Lead Refinery spent approximately \$0.1 million annually in 2012, 2011 and 2010 with respect to this site. Approximate costs to comply with the post-closure permit, including associated general and administrative costs, are between \$2.4 million and \$3.6 million over the next 20 years.

On April 9, 2009, pursuant to the Comprehensive Environmental Response, Compensation, and Liability Act (CERCLA), the EPA added the Lead Refinery site, and properties adjacent to the Lead Refinery site, to the National Priorities List (NPL). The NPL is a list of priority sites where the EPA has determined that there has been a release or threatened release of hazardous substances that warrant investigation and, if appropriate, remedial action. The NPL does not assign liability to any party including the owner or operator of a property placed on the NPL. The placement of a site on the NPL does not necessarily mean that remedial action must be taken. On July 17, 2009, Lead Refinery received a written notice from the EPA that the agency is of the view that Lead Refinery may be a PRP under CERCLA in connection with the release or threaten of release of hazardous substances including lead into properties located adjacent to the Lead Refinery site. There are at least two other PRPs. PRPs under CERCLA include current and former owners and operators of a site, persons who arranged for disposal or treatment of hazardous substances at a site, or persons who accepted hazardous substances for transport to a site. In November 2012, the EPA adopted a remedy in connection with properties located adjacent to the Lead Refinery site. The EPA has estimated that the cost to implement the November 2012 remedy will be \$28.9 million.

The Company monitors EPA releases and periodically communicates with the EPA to inquire of the status of the investigation and cleanup of the Lead Refinery site. As of December 29, 2012, the EPA has not conducted an investigation of the Lead Refinery site, proposed remedies for the Lead Refinery site, or informed Lead Refinery that it is a PRP at the Lead Refinery site. Until the extent of remedial action is determined for the Lead Refinery site, the Company is unable to determine the likelihood of a material adverse outcome or the amount or range of a potential loss with respect to placement of the Lead Refinery site and adjacent properties on the NPL. Lead Refinery lacks the financial resources needed to undertake any investigations or remedial action that may be required by the EPA pursuant to CERCLA.

## Operating Properties

### *Mueller Copper Tube Products, Inc.*

In 1999, Mueller Copper Tube Products, Inc. (MCTP), a wholly owned subsidiary, commenced a cleanup and remediation of soil and groundwater at its Wynne, Arkansas plant. MCTP is currently removing trichloroethylene, a cleaning solvent formerly used by MCTP, from the soil and groundwater. On August 30, 2000, MCTP received approval of its Final Comprehensive Investigation Report and Storm Water Drainage Investigation Report addressing the treatment of soils and groundwater from the Arkansas Department of Environmental Quality (ADEQ). The Company established a reserve for this project in connection with the acquisition of MCTP in 1998. Effective November 17, 2008, MCTP entered into a Settlement Agreement and Administrative Order by Consent to submit a Supplemental Investigation Work Plan (SIWP) and subsequent Final Remediation Work Plan for the site. By letter dated January 20, 2010, ADEQ approved the SIWP as submitted, with changes acceptable to the Company. On December 16, 2011, MCTP entered into an amended Administrative Order by Consent to prepare and implement a revised Remediation Work Plan regarding final remediation for the Site. Costs to implement the work plans, including associated general and administrative costs, are approximately \$2.6 million over the next ten years.

### *Belding, Michigan Lead Matters*

In October 2010, the Michigan Department of Environmental Quality (MDEQ) conducted testing of lead levels in soils on properties upwind and downwind of the Belding, Michigan facility of Extruded Metals, Inc. (Extruded), a subsidiary of the Company. Results of that testing showed exceedances of the Michigan generic residential direct contact cleanup criteria for lead on a number of the downwind properties. Extruded has investigated the extent of this condition and performed remediation to the extent required by environmental laws and in accordance with a plan approved by the MDEQ in April 2011. In January 2012, Extruded submitted a final Certification Report to the MDEQ documenting its completion of that remediation. The Company provided \$0.4 million in 2010 for this matter, and is pursuing potential remedies from the previous owner. The Company does not expect additional material losses associated with these environmental matters.

In November 2010, Extruded received a request for information under Section 114(a) of the Clean Air Act from the EPA. The focus of the EPA's information request was the Extruded facility's compliance with the National Emissions Standards for Hazardous Air Pollutants for Secondary Nonferrous Metals Processing Area Sources, 40 C.F.R. § 63.11462 (Subpart TTTTTT). Extruded responded to the information request and advised the EPA of its position that it was not subject to regulation under Subpart TTTTTT. The state requested that Extruded request an applicability determination from the EPA. On March 11, 2011, Mueller Brass Co. (MBCo), a subsidiary of the Company, submitted a request for an applicability determination to Region V of the EPA.

On or about October 24, 2012, MBCo was notified that based on the process description provided in its letter, EPA agreed that it is not an ingot making facility and, therefore is not subject to Subpart TTTTTT. This determination relieves the Company of future compliance requirements as well as any risk of civil penalties.

The estimates contained in the environmental reserves are based on assumptions that are highly subjective. Many of the remedial activities performed by the Company are pursuant to performance-based obligations imposed by various regulatory bodies in which certain standards regarding levels of contaminants must be met. The most subjective assumption that affects the estimates at these sites is the assumed length of time to comply with the remedial requirements set by the regulatory authorities. This assumption is subject to change based on the regulatory environment, unanticipated delays and events that could limit access to these sites, unforeseen negative sampling results, and other factors. Changes in any of these factors could have a material impact on future environmental expense.



## **United States Department of Commerce Antidumping Review**

On December 24, 2008, the United States Department of Commerce (DOC) initiated an antidumping administrative review of the antidumping duty order covering circular welded non-alloy steel pipe and tube from Mexico to determine the final antidumping duties owed on U.S. imports during the period November 1, 2007, through October 31, 2008, by certain subsidiaries of the Company. On April 19, 2010, the DOC published the final results of this review and assigned Mueller Comercial de Mexico, S. de R.L. de C.V. (Mueller Comercial) an antidumping duty rate of 48.3 percent. The Company has appealed the final determination to the U.S. Court of International Trade (CIT). On December 16, 2011, the CIT issued a decision to remand the final results back to DOC to reconsider its decision. The Department issued its remand determination on May 14, 2012. In that determination, the DOC again assigned Mueller Comercial an antidumping duty rate of 48.3 percent. On June 13, 2012, Mueller challenged the DOC's remand determination. The Company anticipates that certain of its subsidiaries will incur antidumping duties on subject imports made during the period of review and, as such, established a reserve of approximately \$3.8 million for this matter.

On December 23, 2009, the DOC initiated an antidumping administrative review of the antidumping duty order covering circular welded non-alloy steel pipe and tube from Mexico for the November 1, 2008, through October 31, 2009, period of review. The DOC selected Mueller Comercial as a respondent for this period of review. On June 21, 2011, the DOC published the final results of this review and assigned Mueller Comercial an antidumping duty rate of 19.8 percent. On August 22, 2011, the Company appealed the final results to the CIT. On December 21, 2012, the CIT issued a decision upholding the Department's final results in part. The ruling is not yet final; however, once a determination is made, it may be appealed by the Company. The Company anticipates that certain of its subsidiaries will incur antidumping duties on subject imports made during the period of review and, as such, established a reserve of approximately \$1.1 million for this matter.

On December 28, 2010, the DOC initiated an antidumping administrative review of the antidumping duty order covering circular welded non-alloy steel pipe and tube from Mexico for the November 1, 2009, through October 31, 2010, period of review. The DOC selected Mueller Comercial as a respondent for this period of review. On December 14, 2011, the DOC issued a final determination that Mueller Comercial did not ship subject merchandise to the United States during the relevant period of review. Therefore, there is zero antidumping duty liability for the Company and its subsidiaries for imports made during the November 1, 2009 through October 31, 2010 period of review.

On December 30, 2011, the DOC initiated an antidumping administrative review of the antidumping duty order covering circular welded non-alloy steel pipe and tube from Mexico for the November 1, 2010, through October 31, 2011, period of review. The DOC selected Mueller Comercial as a respondent for this period of review. On December 11, 2012, the DOC issued a preliminary determination to rescind the review with regard to Mueller Comercial because the request for review was withdrawn. By the end of 2013, the DOC should issue its final determination to rescind this review.

## **United States Department of Commerce and United States International Trade Commission Antidumping Investigations**

On September 30, 2009, two subsidiaries of the Company, along with Cerro Flow Products, Inc. and KobeWieland Copper Products LLC (collectively, Petitioners), jointly filed antidumping petitions with the DOC and the U.S. International Trade Commission (ITC) alleging that imports of seamless refined copper pipe and tube from China and Mexico (subject imports) were being sold at less than fair value and were causing material injury (and threatening material injury) to the domestic industry. On October 1, 2010, the DOC published its final affirmative determinations, finding antidumping rates from 24.89 percent to 27.16 percent for Mexico (as subsequently amended), and from 11.25 percent to 60.85 percent for China.

On November 22, 2010, the DOC published antidumping orders, with the effect that importers were required to post antidumping cash deposits at rates ranging from 24.89 percent to 27.16 percent (for subject imports from Mexico) and from 11.25 percent to 60.85 percent (for subject imports from China) for imports occurring on or after November 22, 2010.

On October 26, 2012, the Company's Chief Financial Officer (CFO) resigned. In connection with the resignation, on November 7, 2012, the Company entered into a separation agreement with its former CFO. Included in the separation agreement, were provisions to allow (i) continued vesting of options to purchase shares of the Company's common stock and unvested shares of restricted stock previously granted and (ii) continued exercisability of vested options through the later of the original expiration date or October 30, 2015 without regard to service. This modification to remove the service condition resulted in recognition of \$2.1 million of compensation cost on the modification date. This is included in severance expense.

The fair value of the restricted stock awards equals the fair value of the Company's stock on the grant date and is amortized into compensation expense evenly over the vesting period of each award. At December 29, 2012 and December 31, 2011, 285 thousand and 229 thousand restricted stock awards were outstanding and unvested, respectively. During 2012, the Company granted 142 thousand restricted stock awards, 68 thousand restricted stock awards vested, and 13 thousand restricted stock awards were forfeited. The aggregate intrinsic value of outstanding and unvested awards was \$14.1 million at December 29, 2012. Total compensation for restricted stock awards not yet recognized was \$8.1 million with an average recognition period of four years.

Under existing plans, the Company may grant options to purchase shares of common stock at prices not less than the fair market value of the stock on the date of grant. Generally, the options vest annually in equal increments over a five-year period beginning one year from the date of grant. Any unexercised options expire after not more than ten years. The fair value of each grant is estimated as a single award and amortized into compensation expense on a straight-line basis over its vesting period. The weighted average grant-date fair value of options granted during 2012, 2011, and 2010 were \$14.89, \$12.53, and \$7.63, respectively.

The Company estimates the fair value of all stock option awards as of the grant date by applying the Black-Scholes-Merton option pricing model. The use of this valuation model in the determination of compensation expense involves certain assumptions that are judgmental and/or highly sensitive including the expected life of the option, stock price volatility, risk-free interest rate, and dividend yield. Additionally, forfeitures are estimated at the time of valuation and reduce expense ratably over the vesting period. The forfeiture rate, which was estimated at 16.5 percent for 2012 and 17.0 percent for 2011 and 2010, is adjusted periodically based on actual forfeitures. The weighted average of key assumptions used in determining the fair value of options granted and a discussion of the methodology used to develop each assumption are as follows:

	2012	2011	2010
Expected term	6.5 years	6.3 years	6.3 years
Expected price volatility	0.375	0.358	0.353
Risk-free interest rate	0.7%	1.7%	2.4%
Dividend yield	0.9%	1.1%	1.6%

*Expected term* – This is the period of time estimated based on historical experience over which the options granted are expected to remain outstanding. An increase in the expected term will increase compensation expense.

*Expected price volatility* – This is a measure of the amount by which a price has fluctuated or is expected to fluctuate. The Company uses actual historical changes in the market value of its stock to calculate the volatility assumption. Daily market value changes from the date of grant over a past period representative of the expected term of the options are used. An increase in the expected price volatility rate will increase compensation expense.

*Risk-free interest rate* – This is the U.S. Treasury rate for the week of the grant, having a term representative of the expected term of the options. An increase in the risk-free rate will increase compensation expense.

*Dividend yield* – This rate is the annual dividends per share as a percentage of the Company's stock price. An increase in the dividend yield will decrease compensation expense.

The Company generally issues treasury shares when options are exercised. A summary of the stock option activity and related information follows:

<i>(Shares in thousands)</i>	Options	Weighted Average Exercise Price
Outstanding at December 26, 2009	1,604	\$ 27.56
Granted	233	24.70
Exercised	(148)	19.26
Expired	(24)	30.78
Outstanding at December 25, 2010	1,665	27.85
Granted	31	37.54
Exercised	(464)	27.91
Outstanding at December 31, 2011	1,232	28.07
Granted	46	43.58
Exercised	(575)	28.29
Canceled	(9)	27.01
Outstanding at December 29, 2012	694	28.93

At December 29, 2012, the aggregate intrinsic value of all outstanding options was \$14.4 million with a weighted average remaining contractual term of 5.8 years. Of the outstanding options, 379 thousand are currently exercisable with an aggregate intrinsic value of \$7.3 million, a weighted average exercise price of \$30.50, and a weighted average remaining contractual term of 4.7 years. The total intrinsic value of options exercised was \$12.1 million, \$6.6 million, and \$1.3 million in 2012, 2011, and 2010, respectively. The total compensation expense not yet recognized related to non-vested awards at December 29, 2012 was \$10.0 million with an average expense recognition period of 3.4 years.

Approximately 329 thousand shares were available for future stock incentive awards at December 29, 2012.

### **Note 13 – Derivative Instruments and Hedging Activities**

#### **Cash Flow Hedges**

Copper and brass represent the largest component of the Company's variable costs of production. The cost of these materials is subject to global market fluctuations caused by factors beyond the Company's control. The Company occasionally enters into forward fixed-price arrangements with certain customers; the risk of these arrangements is generally managed with commodity futures contracts. The Company accounts for these futures contracts in accordance with ASC 815, *Derivatives and Hedging* (ASC 815). These futures contracts have been designated as cash flow hedges. The fair value of open futures contracts are recognized as a component of OCI until the position is closed which corresponds to the period when the related hedged transaction is recognized in earnings. Should these contracts no longer meet hedge criteria in accordance with ASC 815, either through lack of effectiveness or because the hedged transaction is no longer probable of occurring, all deferred gains and losses related to the hedge would be immediately reclassified from OCI into earnings as a component of other income. In the next nine months, the Company will reclassify into earnings realized gains or losses of cash flow hedges; at December 29, 2012, the net value included in OCI was approximately a \$249 thousand loss.

At December 29, 2012, the Company held open futures contracts to purchase approximately \$21.5 million of copper over the next twelve months related to fixed price sales orders. The fair value of those futures contracts was a \$248 thousand loss position, which was determined by obtaining quoted market prices (Level 1 hierarchy as defined by ASC 820).

Derivative instruments designated as cash flow hedges under ASC 815 are reflected in the Consolidated Financial Statements as follows:

<i>(In thousands)</i>	December 29, 2012		Fair value
	Location		
Commodity contracts	Other current liabilities:	Gain positions	\$ 172
		Loss positions	(420)
	December 31, 2011		
<i>(In thousands)</i>	Location		Fair value
Commodity contracts	Other current assets:	Gain positions	\$ 85
		Loss positions	(25)
	Other current liabilities:	Gain positions	339
		Loss positions	(1,078)

The following tables summarize activities related to the Company's derivative instruments, classified as cash flow hedges in accordance with ASC 815:

	Loss Recognized in Accumulated OCI (Effective Portion), Net of Tax		
	For the Year Ended		
	December 29, 2012	December 31, 2011	
Commodity contracts	\$ (214)	\$ (427)	

<i>(In thousands)</i>	Loss (Gain) Reclassified from Accumulated OCI into Income (Effective Portion), Net of Tax		
	Location	For the Year Ended	
		December 29, 2012	December 31, 2011
Commodity contracts	Cost of goods sold	\$ 469	\$ (561)

### Inventory Fair Value Hedges

The Company enters into futures contracts in order to protect the value of inventory against market fluctuations. The Company accounts for these futures contracts in accordance with ASC 815. These futures contracts have been designated as fair value hedges. For fair value hedges, the changes in value of the hedging derivative, as well as the changes in value of the related hedged item due to the risk being hedged, are reflected in current earnings. Hedge ineffectiveness is reflected in current earnings in the period in which it occurs. At December 29, 2012, the Company held open futures contracts to sell approximately \$65.9 million of copper over the next five months related to copper inventory. The fair value of those futures contracts was a \$499 thousand gain position and is recorded as an other current asset. The fair value was determined by obtaining quoted market prices (Level 1 hierarchy as defined by ASC 820).

The following tables summarize the gains (losses) on the Company's inventory fair value hedges:

<i>(In thousands)</i>	Gains (Losses) on Fair Value Hedges for the Year Ended December 29, 2012	
	Location	Amount
(Loss) on the derivatives in designated and qualifying fair value hedges:		
Commodity Contracts	Cost of goods sold	\$ (301)
Gain on the hedged item in designated and qualifying fair value hedges:		
Inventory	Cost of goods sold	\$ 182
<i>(In thousands)</i>	Gains (Losses) on Fair Value Hedges for the Year Ended December 31, 2011	
	Location	Amount
Gain on the derivatives in designated and qualifying fair value hedges:		
Commodity Contracts	Cost of goods sold	\$ 4,509
(Loss) on the hedged item in designated and qualifying fair value hedges:		
Inventory	Cost of goods sold	\$ (4,344)

### Foreign Currency Hedges

During 2012, the Company entered into contracts to purchase heavy machinery and equipment. These contracts are denominated in euros. To protect itself against adverse exchange rate fluctuations, the Company has entered into forward contracts to purchase euros. At December 29, 2012, the Company held open forward contracts to purchase approximately 8.4 million euros over the next 17 months. The fair value was determined by obtaining quoted market prices (Level 1 hierarchy as defined by ASC 820).

<i>(In thousands)</i>	December 29, 2012	
	Location	Fair value
Foreign currency contracts	Other current assets: Gain positions	\$ 307
Firm commitment	Other current liabilities: Loss positions	(307)

The Company enters into futures and forward contracts that closely match the terms of the underlying transactions. As a result, the ineffective portion of the open cash flow and fair value hedge contracts through December 29, 2012 was not material to the Consolidated Statements of Income.

The Company does not offset the fair value of amounts for derivative instruments and the fair value amounts recognized for the right to reclaim cash collateral. At December 29, 2012, the Company had recorded restricted cash of \$1.7 million related to open futures contracts.

## Note 14 – Acquisitions

On August 16, 2012, the Company acquired 100 percent of the outstanding stock of Westermeyer Industries, Inc. (Westermeyer) for approximately \$11.6 million in cash. Westermeyer, located in Bluffs, Illinois, designs, manufactures, and distributes high-pressure components and accessories for the air-conditioning and refrigeration markets. The acquisition of Westermeyer complements the Company's existing refrigeration business, a component of the OEM segment. This acquisition was accounted for using the purchase method of accounting, and, as such, the results of operations for Westermeyer have been included in the accompanying Consolidated Financial Statements from the acquisition date. The fair values of the assets acquired totaled \$7.5 million, consisting of receivables of \$2.0 million, inventories of \$1.9 million, and property, plant, and equipment of \$3.6 million. These assets were partially offset by current liabilities of approximately \$1.0 million. Of the remaining purchase price, \$2.3 million was allocated to tax-deductible goodwill and \$2.7 million to other intangible assets.

On December 28, 2010, the Company purchased certain assets of Tube Forming, L.P. (TFI). TFI primarily serves the HVAC market in North America. The acquired assets include inventories, production equipment as well as factory leaseholds. TFI had operations in Carrollton, Texas, and Guadalupe, Mexico, where it produced precision copper return bends and crossovers, and custom-made tube components and brazed assemblies, including manifolds and headers. TFI's estimated net sales for 2010 were approximately \$35.0 million. The Company paid approximately \$6.9 million for the assets subject to certain adjustments, which was funded with existing cash on hand. The acquisition of TFI extends the Company's product offering within the OEM segment.

On August 6, 2010, the Company purchased certain assets of Linesets, Inc., a manufacturer of assembled line sets with operations in Phoenix, Arizona and Atlanta, Georgia. This acquisition expands the Company's current line sets business, a part of the Plumbing & Refrigeration segment. The purchase price of approximately \$2.1 million was allocated primarily to inventory and heavy machinery and equipment.

## Note 15 – Industry Segments

The Company's reportable segments are Plumbing & Refrigeration and OEM. For disclosure purposes, as permitted under ASC 280, *Segment Reporting*, certain operating segments are aggregated into reportable segments. The Plumbing & Refrigeration segment is composed of Standard Products (SPD), European Operations, and Mexican Operations. The OEM segment is composed of Industrial Products (IPD), Engineered Products (EPD), and Mueller-Xingrong. These segments are classified primarily by the markets for their products. Performance of segments is generally evaluated by their operating income. Intersegment transactions are generally conducted on an arms-length basis.

SPD manufactures copper tube and fittings, plastic fittings, plastic pipe, and line sets. These products are manufactured in the U.S. Outside the U.S., the Company's European Operations manufacture copper tube, which is sold in Europe and the Middle East. SPD also imports and resells brass and plastic plumbing valves, malleable iron fittings, faucets, and plumbing specialty products. Mexican Operations consist of pipe nipple manufacturing and import distribution businesses including product lines of malleable iron fittings and other plumbing specialties. The European Operations consist of copper tube manufacturing and the import distribution of fittings, valves, and plumbing specialties primarily in the U.K. and Ireland. The Plumbing & Refrigeration segment's products are sold primarily to plumbing, refrigeration, and air-conditioning wholesalers, hardware wholesalers and co-ops, and building product retailers.

IPD manufactures brass rod, impact extrusions, and forgings as well as a variety of end products including plumbing brass, automotive components, valves, and fittings. EPD manufactures and fabricates valves and assemblies for the refrigeration, air-conditioning, gas appliance, and barbecue grill markets and specialty copper, copper-alloy, and aluminum tube. Mueller-Xingrong manufactures engineered copper tube primarily for air-conditioning applications. These products are sold primarily to OEM customers.

Summarized product line, geographic, and segment information is shown in the following tables. Geographic sales data indicates the location from which products are shipped. Unallocated expenses include general corporate expenses, plus certain charges or credits not included in segment activity.

During 2012, 2011, and 2010, no one customer exceeded 10 percent of worldwide sales.

**Net Sales by Major Product Line:**

<i>(In thousands)</i>	<u>2012</u>	<u>2011</u>	<u>2010</u>
Tube and fittings	\$ 986,825	\$ 1,082,150	\$ 898,615
Brass rod and forgings	583,940	662,369	581,660
OEM components, tube & assemblies	335,461	401,623	327,092
Valves and plumbing specialties	231,278	217,985	204,074
Other	<u>52,434</u>	<u>53,670</u>	<u>48,356</u>
	<u>\$ 2,189,938</u>	<u>\$ 2,417,797</u>	<u>\$ 2,059,797</u>

**Geographic Information:**

<i>(In thousands)</i>	<u>2012</u>	<u>2011</u>	<u>2010</u>
Net sales:			
United States	\$ 1,696,589	\$ 1,830,001	\$ 1,567,606
United Kingdom	234,684	272,809	214,643
Other	<u>258,665</u>	<u>314,987</u>	<u>277,548</u>
	<u>\$ 2,189,938</u>	<u>\$ 2,417,797</u>	<u>\$ 2,059,797</u>

<i>(In thousands)</i>	<u>2012</u>	<u>2011</u>	<u>2010</u>
Long-lived assets:			
United States	\$ 306,023	\$ 267,060	\$ 289,714
United Kingdom	23,496	23,962	24,088
Other	<u>27,442</u>	<u>29,883</u>	<u>32,880</u>
	<u>\$ 356,961</u>	<u>\$ 320,905</u>	<u>\$ 346,682</u>

Net assets of foreign operations at December 29, 2012 included \$92.7 million in the United Kingdom, \$48.7 million in Mexico, \$57.9 million in Luxembourg, and \$28.8 million in China.

**Segment Information:**

<i>(In thousands)</i>	For the Year Ended December 29, 2012			
	<u>Plumbing &amp; Refrigeration Segment</u>	<u>OEM Segment</u>	<u>Corporate and Eliminations</u>	<u>Total</u>
Net sales	\$ 1,238,230	\$ 974,606	\$ (22,898)	\$ 2,189,938
Cost of goods sold	1,060,755	866,404	(22,696)	1,904,463
Depreciation and amortization	16,513	13,435	1,547	31,495
Selling, general, and administrative expense	75,448	27,680	26,328	129,456
Litigation settlement	—	—	(4,050)	(4,050)
Insurance settlement	(1,500)	—	—	(1,500)
Severance	<u>—</u>	<u>—</u>	<u>3,369</u>	<u>3,369</u>
Operating income	87,014	67,087	(27,396)	126,705
Interest expense				(6,890)
Other expense, net				<u>539</u>
Income before income taxes				<u>\$ 120,354</u>

For the Year Ended December 31, 2011

<i>(In thousands)</i>	Plumbing & Refrigeration Segment	OEM Segment	Corporate and Eliminations	Total
Net sales	\$ 1,330,435	\$ 1,119,796	\$ (32,434)	\$ 2,417,797
Cost of goods sold	1,139,932	1,007,654	(31,909)	2,115,677
Depreciation and amortization	20,947	14,634	1,284	36,865
Selling, general, and administrative expense	84,795	24,838	26,320	135,953
Litigation settlement	—	—	(10,500)	(10,500)
Operating income	84,761	72,670	(17,629)	139,802
Interest expense				(11,553)
Other expense, net				1,912
Income before income taxes				<u>\$ 130,161</u>

For the Year Ended December 25, 2010

<i>(In thousands)</i>	Plumbing & Refrigeration Segment	OEM Segment	Corporate and Eliminations	Total
Net sales	\$ 1,115,614	\$ 958,855	\$ (14,672)	\$ 2,059,797
Cost of goods sold	951,170	837,649	(14,008)	1,774,811
Depreciation and amortization	24,940	14,300	1,124	40,364
Selling, general, and administrative expense	78,573	26,789	25,849	131,211
Insurance settlements	(22,736)	—	—	(22,736)
Operating income	83,667	80,117	(27,637)	136,147
Interest expense				(11,647)
Other expense, net				(2,650)
Income before income taxes				<u>\$ 121,850</u>

*(In thousands)*

	2012	2011	2010
Expenditures for long-lived assets (including business acquisitions):			
Plumbing & Refrigeration	\$ 24,030	\$ 12,686	\$ 13,774
OEM	27,066	12,586	6,684
General corporate	17,290	361	241
	<u>\$ 68,386</u>	<u>\$ 25,633</u>	<u>\$ 20,699</u>
Segment assets:			
Plumbing & Refrigeration	\$ 531,429	\$ 532,458	\$ 574,671
OEM	290,058	296,997	296,978
General corporate	282,668	518,149	387,347
	<u>\$ 1,104,155</u>	<u>\$ 1,347,604</u>	<u>\$ 1,258,996</u>



**Note 16 – Quarterly Financial Information (Unaudited)**

<i>(In thousands, except per share data)</i>	<u>First Quarter</u>	<u>Second Quarter</u>	<u>Third Quarter</u>	<u>Fourth Quarter</u>
<b>2012</b>				
Net sales	\$ 577,668	\$ 594,099	\$ 514,165	\$ 504,006
Gross profit <sup>(1)</sup>	84,493	71,248	64,447	65,287
Consolidated net income	32,817 <sup>(3)</sup>	18,540	15,570	16,746
Net income attributable to Mueller Industries, Inc.	32,599	17,917	15,511	16,368
Basic earnings per share	0.86	0.47	0.41	0.59 <sup>(4)</sup>
Diluted earnings per share	0.85	0.47	0.41	0.58 <sup>(4)</sup>
Dividends per share	0.10	0.10	0.10	0.125
<b>2011</b>				
Net sales	\$ 687,681	\$ 652,923	\$ 585,809	\$ 491,384
Gross profit <sup>(1)</sup>	97,807	79,046	61,825	63,442
Consolidated net income	40,542 <sup>(2)</sup>	22,731	10,741	13,072
Net income attributable to Mueller Industries, Inc.	40,587	22,331	10,475	12,928
Basic earnings per share	1.08	0.59	0.28	0.34
Diluted earnings per share	1.07	0.59	0.27	0.34
Dividends per share	0.10	0.10	0.10	0.10

*(1) Gross profit is net sales less cost of goods sold, which excludes depreciation and amortization.*

*(2) Includes gain from litigation settlement of \$6.8 million after tax.*

*(3) Includes \$8.0 million gain from liquidation of LIFO inventory layers and \$1.5 million gain from settlement of insurance claims.*

*(4) Includes the repurchase of 10.4 million shares from Leucadia in September 2012*

## Report of Independent Registered Public Accounting Firm

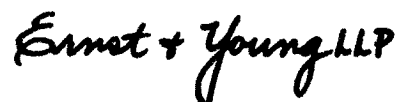
The Board of Directors and Stockholders of Mueller Industries, Inc.

We have audited the accompanying consolidated balance sheets of Mueller Industries, Inc. as of December 29, 2012 and December 31, 2011, and the related consolidated statements of income, comprehensive income, changes in equity and cash flows for each of the three years in the period ended December 29, 2012. Our audits also included the financial statement schedule listed in the Index at Item 15(a). These financial statements and schedule are the responsibility of the Company's management. Our responsibility is to express an opinion on these financial statements and schedule based on our audits.

We conducted our audits in accordance with the standards of the Public Company Accounting Oversight Board (United States). Those standards require that we plan and perform the audit to obtain reasonable assurance about whether the financial statements are free of material misstatement. An audit includes examining, on a test basis, evidence supporting the amounts and disclosures in the financial statements. An audit also includes assessing the accounting principles used and significant estimates made by management, as well as evaluating the overall financial statement presentation. We believe that our audits provide a reasonable basis for our opinion.

In our opinion, the financial statements referred to above present fairly, in all material respects, the consolidated financial position of Mueller Industries, Inc. at December 29, 2012 and December 31, 2011, and the consolidated results of its operations and its cash flows for each of the three years in the period ended December 29, 2012, in conformity with U.S. generally accepted accounting principles. Also, in our opinion, the related financial statement schedule, when considered in relation to the basic financial statements taken as a whole, presents fairly in all material respects the information set forth therein.

We also have audited, in accordance with the standards of the Public Company Accounting Oversight Board (United States), Mueller Industries, Inc.'s internal control over financial reporting as of December 29, 2012, based on criteria established in Internal Control – Integrated Framework issued by the Committee of Sponsoring Organizations of the Treadway Commission and our report dated February 27, 2013 expressed an unqualified opinion thereon.

The logo for Ernst & Young LLP is written in a stylized, cursive script. The words "Ernst & Young" are in a larger font, and "LLP" is smaller and positioned to the right.

Memphis, Tennessee  
February 27, 2013

**MUELLER INDUSTRIES, INC.**  
**SCHEDULE II - VALUATION AND QUALIFYING ACCOUNTS**  
*Years Ended December 29, 2012, December 31, 2011, and December 25, 2010*

<i>(In thousands)</i>	<u>Balance at beginning of year</u>	<u>Additions</u>		<u>Deductions</u>	<u>Balance at end of year</u>
		<u>Charged to costs and expenses</u>	<u>Other additions</u>		
<b>2012</b>					
Allowance for doubtful accounts	\$ 1,564	\$ 867	\$ 109 <sup>(1)</sup>	\$ 896	\$ 1,644
Environmental reserves	\$ 22,892	\$ 3,056	\$ —	\$ 1,313	\$ 24,635
Valuation allowance for deferred tax assets	\$ 29,705	\$ (1,224)	\$ 1,913	\$ —	\$ 30,394
<b>2011</b>					
Allowance for doubtful accounts	\$ 5,447	\$ (229)	\$ (2) <sup>(1)</sup>	\$ 3,652	\$ 1,564
Environmental reserves	\$ 23,902	\$ 392	\$ —	\$ 1,402	\$ 22,892
Valuation allowance for deferred tax assets	\$ 28,714	\$ (443)	\$ 1,434 <sup>(2)</sup>	\$ —	\$ 29,705
<b>2010</b>					
Allowance for doubtful accounts	\$ 5,947	\$ 4,763	\$ 111 <sup>(1)</sup>	\$ 5,374	\$ 5,447
Environmental reserves	\$ 23,268	\$ 5,378	\$ (6)	\$ 4,738	\$ 23,902
Valuation allowance for deferred tax assets	\$ 33,812	\$ (5,496)	\$ 398	\$ —	\$ 28,714

*(1) Other consists primarily of bad debt recoveries as well as the effect of fluctuating foreign currency exchange rates in all years presented.*

*(2) Other includes the additions to valuation allowances in which previously unrecorded gross deferred tax assets and valuation allowances were recognized.*

*This page intentionally left blank*



Mueller Industries, Inc.  
8285 Tournament Drive, Suite 150  
Memphis, Tennessee 38125  
(901) 753-3200 • [www.muellerindustries.com](http://www.muellerindustries.com)